




3 bellows pads PC series

		Connection type	Top port	Side port		
Without connector With locking fitting PS φ5/7	⇒P418	Female screw (Without connector)	PS-□-C-F	-		
		Male screw (Without connector)	PS-□-C-M	-		
Pad with locking fitting PC□K φ5 ~ 90	⇒P419		Barb connector	PCTK	PCYK	
Simple pad with spring fitting PSS φ5/7	⇒P422	Stroke(mm) 3,5	Male screw (Without connector)	PSS-□-PCG-□	-	
Pad with spring fitting NAPC□S φ5/7 φ10 ~ 20 φ30 ~ 60 φ90	⇒P423		Female screw (Without connector)	NAPCTS-□-□	NAPCYS-□-□	
			Push-in connector	NAPCTS-□-□-O	NAPCYS-□-□-O	
			Barb connector	NAPCTS-□-□-T	NAPCYS-□-□-T	
Pad with spring fitting non-rotative type NAPC□H φ5 ~ 20 φ30 ~ 60	⇒P426		Female screw (Without connector)	NAPCTH-□-□	NAPCYH-□-□	
			Push-in connector	NAPCTH-□-□-O	NAPCYH-□-□-O	
			Barb connector	NAPCTH-□-□-T	NAPCYH-□-□-T	
Maintenance parts						
Fitting	⇒P418, 419, 422, 423, 426	Locking fitting	Male screw	TN-PS-□-□	-	
Female screw			TN-PS-□-□F	-		
Pad			PCTK-□-K	PCYK-□-K		
Female screw	⇒P498	Spring type Fitting	Male screw	PSS-□	-	
Pad			⇒P429	Push-in connector	NAPCTS-□-K-O	NAPCYS-□-K-O
				NAPCTH-□-K-O	NAPCYH-□-K-O	
		Barb connector	NAPCTS-□-K-T	NAPCYS-□-K-T		
			NAPCTH-□-K-T	NAPCYH-□-K-T		
		Female screw pad	TN-PF PCG			

Pad standard material table

● : Standard ○ : Made to order × : None

	Material	Indentification	Symbol	Round pad										
				5	7	10	15	18	20	30	40	60	90	
Standard	Nitrile	Black	N	●	●	●	●	●	●	●	●	●	●	●
	Silicone	Transparent white	S	●	●	●	●	●	●	●	●	●	●	●
Made to order	Urethane	Blue	U	○	○	○	○	○	○	○	○	○	○	×
	Fluorine	Black with white dot	F	○	○	○	○	○	○	○	○	○	○	×
	Conductive Nitrile	Black with blue dot	NE	○	○	○	○	○	○	○	○	○	×	×
	Conductive Silicone	Black with red dot	SE	○	○	○	○	○	○	○	○	○	×	×
	Conductive Urethane	Black	UE	○	○	○	○	○	○	○	○	×	×	×
	Conductive Fluorine	Black	FE	×	×	○	○	○	○	×	×	×	×	×
	Conductive Chloroprene	Black	CRE	×	×	×	×	×	×	×	×	×	×	×
	Nitrile HS70	Black	NBR70	○	○	○	○	○	○	○	○	○	×	×
	HNBR	Black	HNBR	×	×	×	×	×	×	×	×	×	×	×
	Silicone HS30	White	SI30	○	○	○	○	○	○	○	○	○	○	○
	Heat resistant silicone	Grey	SH	○	○	○	○	○	○	○	○	○	○	○
	Fluoro Silicone	Orange	FSI	○	○	○	○	○	○	○	○	○	×	×
	Antibacterial silicone	Grey	SAG	×	×	×	×	×	×	×	×	×	×	×
	Chloroprene	Green	CR	○	○	○	○	○	○	○	○	×	×	×
	Natural rubber	Light brown	NR	○	○	○	○	○	○	○	○	×	×	×
	2 Hardness	Black	W	×	×	×	×	×	×	×	×	×	×	×
	Ethylene-propylene	Black	EPDM	○	○	○	○	○	○	○	○	○	○	○
	Mark free	Black with yellow dot	F-Z	○	○	○	○	○	○	○	○	○	×	×
	Non-adhesive (RA)	Black	F-RA	○	○	○	○	○	○	○	○	○	○	×

Simple pad / PS

How to order

PS - ^①5 - C - ^②M - ^③N

① Pad diameter (mm)

5	φ5
7	φ7

② Setting screw type

M	Male screw
F	Female screw

③ Pad rubber material

N	NBR(Nitrile rubber)
S	Silicone rubber

Note) Please consult with us for other material.

Pad standard specifications

Symbol	Material	Hardness(Hs)	Ambient temperature	Color	Volume resistivity
N	NBR(Nitrile rubber)	A55/S	-26 ~ 120°C	Black	-
S	Silicone rubber	A55/S	-60 ~ 250°C	White	-

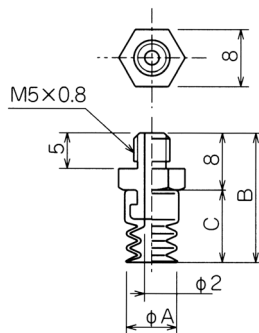
Note) Volume resistivity shows conductivity, resistance value is per cm³.

Applicable fitting table

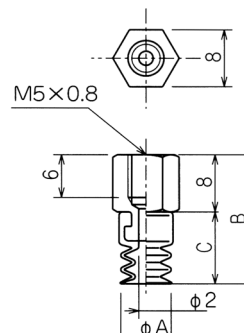
Setting pscrew	How to order	Round pad	
		5	7
Male screw	TN-PS-10-M5	○	○
Female screw	TN-PS-10-M5F	○	○

Dimensions

(mm)



PS-5/7-C-M



PS-5/7-C-F

PS	A	B	C	H	Y	Mass (g)
PS-5-C-M	5	17.5	9.5	/	/	1
PS-7-C-M	7	18	10			1
PS-5-C-F	5	17.5	9.5	/	/	1.5
PS-7-C-F	7	18	10			1.5

Pad with locking fitting / PCTK · PCYK

How to order

① PC T K - 5 - N

① Vacuum port

T	Top port
Y	Side port

② Pad diameter (mm)

5	φ5	20	φ20
7	φ7	30	φ30
10	φ10	40	φ40
15	φ15	60	φ60
18	φ18	90	φ90

③ Pad rubber material

N	NBR(Nitrile rubber)
S	Silicone rubber

Note) Please consult with us for other material.

Fitting specifications

Description		φ5/7		φ10 ~ 60		φ90	
Vacuum port type		Top port	Side port	Top port	Side port	Top port	Side port
Connection type	Without connector	×	×	×	×	Rc1/8	Rc1/8
	Barb connector	φ4 × 2.5	×	×	×	×	×
		φ6 × 4	○	○ (M5)	○ (M5)	○ (M5)	×
Fitting attachment type		Male screw	Female screw	Male screw	Female screw	Male screw	Male screw

Note) Barb connector and fitting for pad with φ5 ~ 7mm diameter cannot be disassembled.

Pad standard specifications

Symbol	Material	Hardness(Hs)	Ambient temperature	Color	Volume resistivity
N	NBR(Nitrile rubber)	A55/S	-26 ~ 120°C	Black	-
S	Silicone rubber	A55/S	-60 ~ 250°C	White	-

Note) Volume resistivity shows conductivity, resistance value is per cm³.

Applicable fitting table

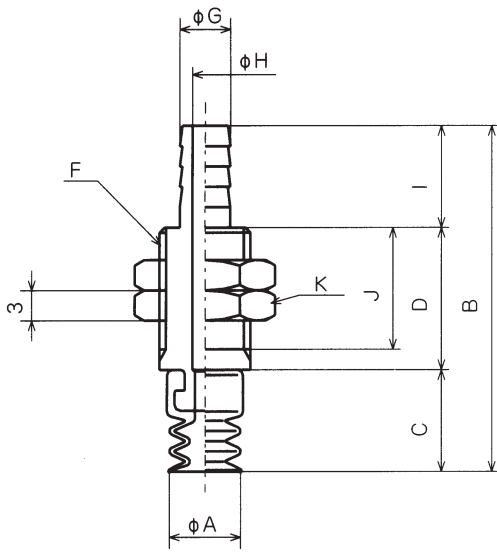
		How to order	Round pad									
			5	7	10	15	18	20	30	40	60	90
Fitting	Top port	PFTK-5A-K	○	○								
		PFTK-15-K			○	○	○	○				
		PFTK-50-K							○	○	○	
		PCTK-90-K										○
	Side port	PFYK-5A-K	○	○								
		PFYK-15-K			○	○	○	○				
		PFYK-50-K							○	○	○	
		PCYK-90-K										○
Female screw	TN-PC-10-M5			○	○	○	○					
	TN-PC-30-M8							○	○	○		
	TN-PC-90-M12										○	

Note 1) Please attach directly to the fitting pad with diameter 5mm and 7mm.

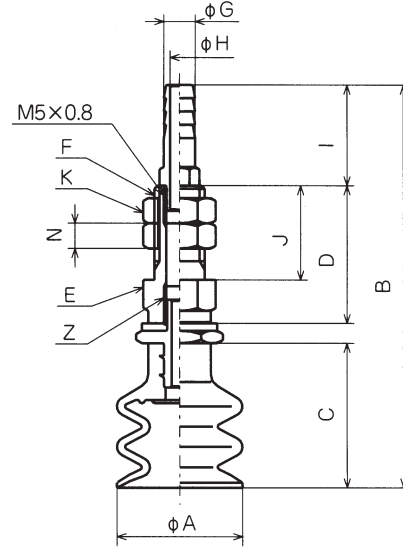
Note 2) A female screw is needed for pad diameter between 10mm and 90mm.

Dimensions

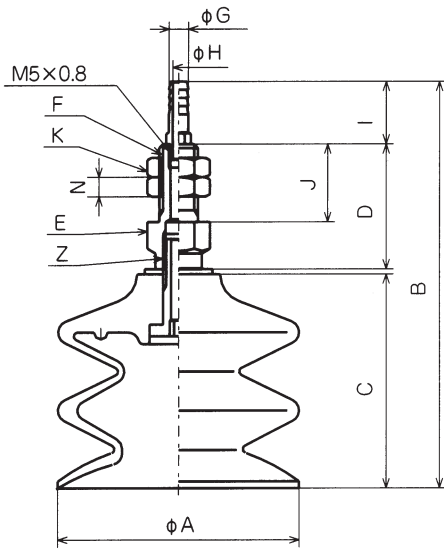
(mm)



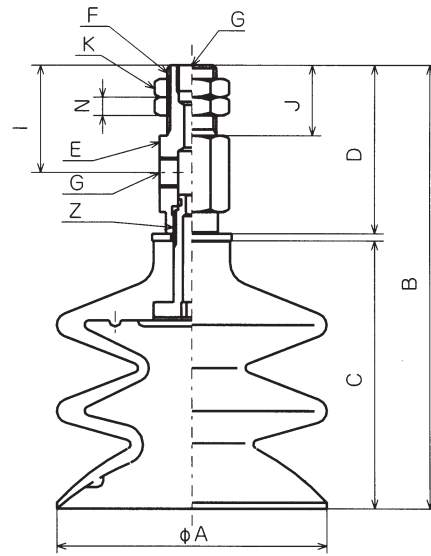
PCTK-5/7



PCTK-10/15/18/20



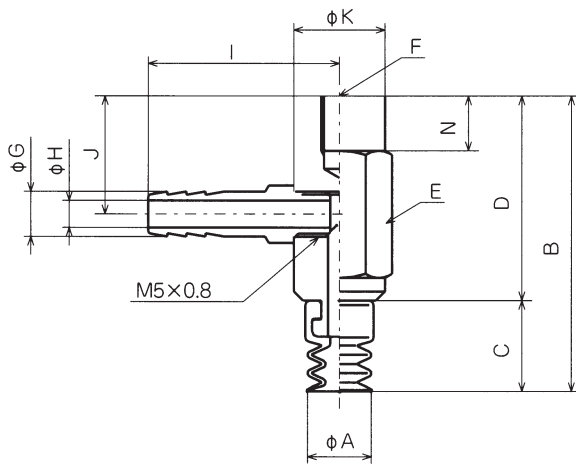
PCTK-30/40/60



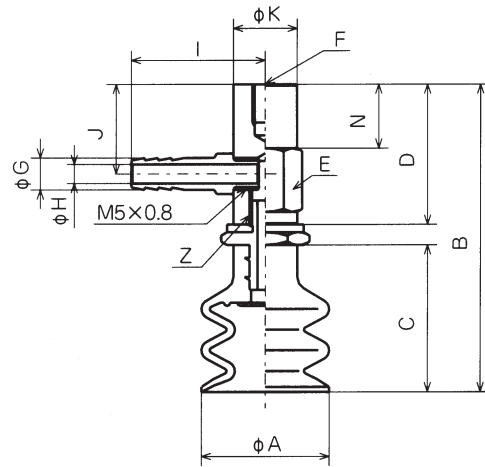
90

Dimensions

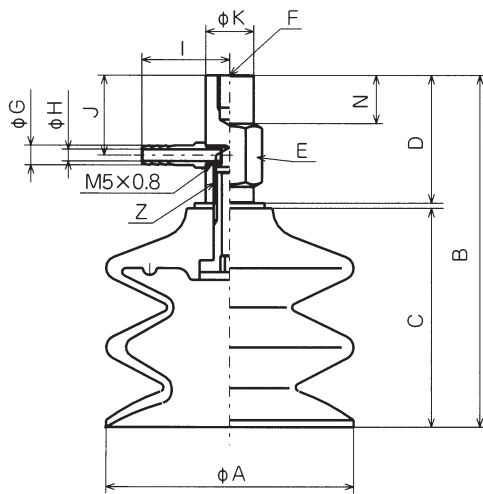
(mm)



PCYK-5/7



PCYK-10/15/18/20



PCYK-30/40/60

PCTK	A	B	C	D	E	F	G	H	I	J	K	N	Z	Mass (g)
PCTK-5	5	33.5	9.5	14		M9x1.0	5	2.5	10	12	12H	3		11
PCTK-7	7	34	10	14		M9x1.0	5	2.5	10	12	12H	3		11
PCTK-10	10	51.2	15	22	10H	M8x1.25	5	3	11	15	10H	4	M5x0.8	22
PCTK-15	15	59.2	23	22	10H	M8x1.25	5	3	11	15	10H	4	M5x0.8	22
PCTK-18	18	59.2	23	22	10H	M8x1.25	5	3	11	15	10H	4	M5x0.8	22
PCTK-20	20	59.2	23	22	10H	M8x1.25	5	3	11	15	10H	4	M5x0.8	22
PCTK-30	30	81.8	37.5	32	14H	M10x1.5	5	3	11	20	14H	5	M8x1.25	46
PCTK-40	40	90.3	46	32	14H	M10x1.5	5	3	11	20	14H	5	M8x1.25	55
PCTK-60	60	99.3	55	32	14H	M10x1.5	5	3	11	20	14H	5	M8x1.25	85
PCTK-90	90	144.8	87.5	55	21H	M16x1.5	Rc1/8			23	21H	6	M12x1.25	300

PCYK	A	B	C	D	E	F	G	H	I	J	K	N	Z	Mass (g)
PCYK-5	5	32	9.5	22.5	10H	M4 depth 6	5	3	16	13	10	6		16
PCYK-7	7	32.5	10	22.5	10H	M4 depth 6	5	3	16	13	10	6		16
PCYK-10	10	40.2	15	22	10H	M4 depth 7	5	3	16	14	10	10	M5x0.8	22
PCYK-15	15	48.2	23	22	10H	M4 depth 7	5	3	16	14	10	10	M5x0.8	22
PCYK-18	18	48.2	23	22	10H	M4 depth 7	5	3	16	14	10	10	M5x0.8	22
PCYK-20	20	48.2	23	22	10H	M4 depth 7	5	3	16	14	10	10	M5x0.8	22
PCYK-30	30	70.8	37.5	32	14H	M6 depth 8	5	3	18	20	12	12	M8x1.25	46
PCYK-40	40	79.3	46	32	14H	M6 depth 8	5	3	18	20	12	12	M8x1.25	55
PCYK-60	60	88.3	55	32	14H	M6 depth 8	5	3	18	20	12	12	M8x1.25	85
PCYK-90	90	144.8	87.5	55	21H	M16x1.5	Rc1/8		35	23	21H	6	M12x1.25	300

Simple pad with spring fitting / PSS

How to order

PSS - ^①L3 - PCG - ^②5 - ^③N

① Stroke

L3	3mm Stroke
L5	5mm Stroke

② Pad diameter (mm)

5	φ5
7	φ7

③ Pad rubber material

N	NBR(Nitrile rubber)
S	Silicone rubber

Note) Please consult with us for other material.

Pad standard specifications

Symbol	Material	Hardness(Hs)	Ambient temperature	Color	Volume resistivity
N	NBR(Nitrile rubber)	A55/S	-26 ~ 120°C	Black	-
S	Silicone rubber	A55/S	-60 ~ 250°C	White	-

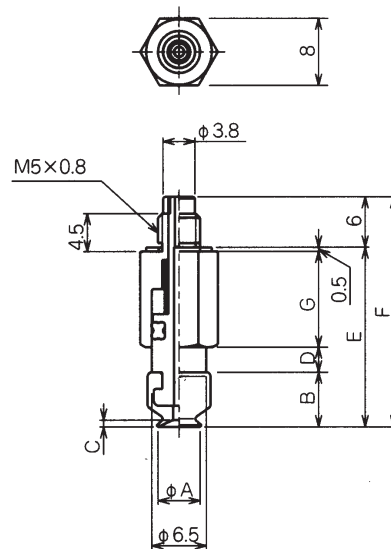
Applicable fitting table

	How to order	Round pad	
		5	7
Fitting	PSS-L3	○	○
	PSS-L5	○	○

Note) Pad is attached directly to the fitting.

Dimensions

(mm)



PSS	A	B	C	D	E	F	G	F ¹	F ²	Mass (g)
PSS-L3-PCG-5	5	9.5		3	24.5	30.5	11.5	1.5	2.3	6
PSS-L3-PCG-7	7	10		3	25	31	11.5	1.5	2.3	6
PSS-L5-PCG-5	5	9.5		5	28.5	34.5	13.5	1.5	2.3	7
PSS-L5-PCG-7	7	10		5	29	35	13.5	1.5	2.3	7

Note) Symbol F¹ in the table shows a spring load (N) at 0 stroke, and F² at full stroke.

Pad with spring fitting / NAPCTS · YS

How to order

NAPC ^①T ^②S - ^③5-3 - ^④N - T

① Vacuum port

T	Top port
Y	Side port

② Pad diameter – stroke (mm)

5-3	φ5-3	30-6	φ30-6
5-6	φ5-6	30-15	φ30-15
7-3	φ7-3	30-30	φ30-30
7-6	φ7-6	40-6	φ40-6
10-3	φ10-3	40-15	φ40-15
10-10	φ10-10	40-30	φ40-30
10-15	φ10-15	60-6	φ60-6
15-3	φ15-3	60-15	φ60-15
15-10	φ15-10	60-30	φ60-30
15-15	φ15-15	90-10	φ90-10
18-3	φ18-3	90-30	φ90-30
18-10	φ18-10	90-50	φ90-50
18-15	φ18-15		
20-3	φ20-3		
20-10	φ20-10		
20-15	φ20-15		

③ Pad rubber material

N	NBR(Nitrile rubber)
S	Silicone rubber

Note) Please consult with us for other material.

④ Connector

Blank	Without
T	Barb connector
O	Push-in connector

Note) We do not use dry bearing with pad diameter 5mm and 7mm.

Fitting specifications

Description		φ5/7		φ10 ~ 60		φ90		
Vacuum port type		Top port	Side port	Top port	Side port	Top port	Side port	
Connection type	Without connector	M3	M3	M5	M5	Rc1/8	Rc1/8	
	Barb connector	φ4 × 2.5	○ (M3)	○ (M3)	×	×	×	×
		φ6 × 4	×	×	○ (M5)	○ (M5)	×	×
	Push-in connector	φ4 × 2.5	○ (M3)	○ (M3)	×	×	×	×
φ6 × 4		×	×	○ (M5)	○ (M5)	×	×	
Fitting attachment type		Male screw	Male screw	Male screw	Male screw	Male screw	Male screw	

Pad standard specifications

Symbol	Material	Hardness(Hs)	Ambient temperature	Color	Volume resistivity
N	NBR(Nitrile rubber)	A55/S	-26 ~ 120℃	Black	-
S	Silicone rubber	A55/S	-60 ~ 250℃	White	-

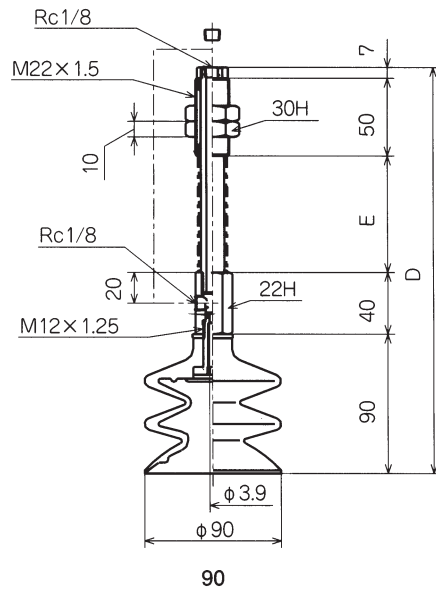
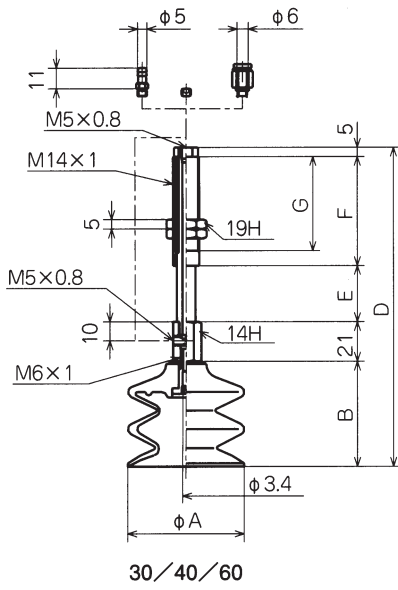
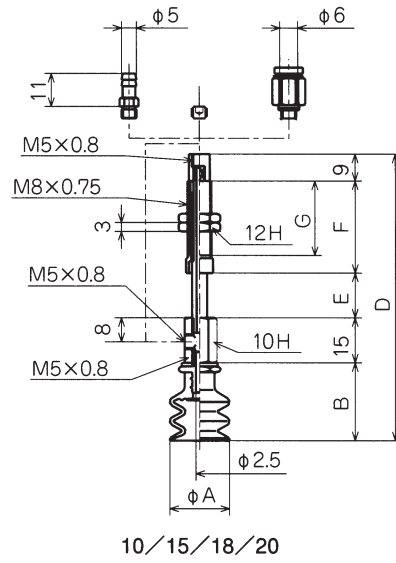
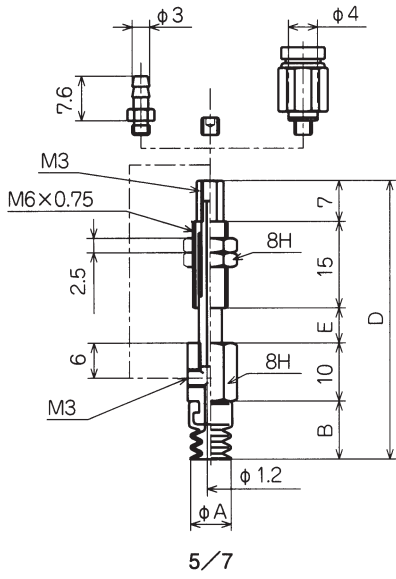
Applicable fitting table

	How to order	Round pad										
		5	7	10	15	18	20	30	40	60	90	
Fitting	Top port	NAPFTS-5A-3-K	○	○								
		NAPFTS-5A-6-K	○	○								
		NAPCTS-10-3-K			○	○	○	○				
		NAPCTS-10-10-K			○	○	○	○				
		NAPCTS-10-15-K			○	○	○	○				
		NAPFTS-20B-6-K							○	○	○	
		NAPFTS-20B-15-K							○	○	○	
		NAPFTS-20B-30-K							○	○	○	
		NAPFTS-60-10-K										○
	NAPFTS-60-30-K										○	
	NAPFTS-60-50-K										○	
	Side port	NAPFYS-5A-3-K	○	○								
		NAPFYS-5A-6-K	○	○								
		NAPJYS-10-3-K			○	○	○	○				
		NAPJYS-10-10-K			○	○	○	○				
		NAPJYS-10-15-K			○	○	○	○				
		NAPFYS-20B-6-K							○	○	○	
		NAPFYS-20B-15-K							○	○	○	
NAPFYS-20B-30-K								○	○	○		
NAPFTS-60-10-K											○	
NAPFTS-60-30-K										○		
Female screw	TN-PC-10-M5			○	○	○	○					
	TN-PC-30-M6							○	○	○		
	TN-PC-90-M12										○	

Note 1) Please attach directly to the fitting pad with diameter 5 and 7mm
 Note 2) A female screw is needed for pad diameter between 10mm and 90mm.

Dimensions

(mm)



NAPCT/YS	A	B	D	E	F	G	F ¹	F ²	Mass (g)
NAPCT/YS-5-3	5	9.5	44.5	3			0.49	0.59	7
NAPCT/YS-5-6	5	9.5	47.5	6			0.49	0.69	7
NAPCT/YS-7-3	7	10	45	3			0.49	0.59	7
NAPCT/YS-7-6	7	10	48	6			0.49	0.69	7
NAPCT/YS-10-3	10	18	68	3	23	17	0.61	0.77	22
NAPCT/YS-10-10	10	18	75	10	23	17	0.61	1.17	22.5
NAPCT/YS-10-15	10	18	87.5	15	30.5	24.5	0.64	1.17	25
NAPCT/YS-15-3	15	26	76	3	23	17	0.61	0.77	23
NAPCT/YS-15-10	15	26	83	10	23	17	0.61	1.17	23.5
NAPCT/YS-15-15	15	26	95.5	15	30.5	24.5	0.64	1.17	26
NAPCT/YS-18-3	18	26	76	3	23	17	0.61	0.77	23
NAPCT/YS-18-10	18	26	83	10	23	17	0.61	1.17	23.5
NAPCT/YS-18-15	18	26	95.5	15	30.5	24.5	0.64	1.17	26
NAPCT/YS-20-3	20	26	76	3	23	17	0.61	0.77	23.5
NAPCT/YS-20-10	20	26	83	10	23	17	0.61	1.17	24
NAPCT/YS-20-15	20	26	95.5	15	30.5	24.5	0.64	1.17	26.5
NAPCT/YS-30-6	30	38.5	106.5	6	36	28	2.45	3.43	80
NAPCT/YS-30-15	30	38.5	115.5	15	36	28	2.45	4.9	85
NAPCT/YS-30-30	30	38.5	152.5	30	58	50	2.9	5.88	110
NAPCT/YS-40-6	40	47	115	6	36	28	2.45	3.43	91
NAPCT/YS-40-15	40	47	124	15	36	28	2.45	4.9	96
NAPCT/YS-40-30	40	47	161	30	58	50	2.9	5.88	121
NAPCT/YS-60-6	60	56	124	6	36	28	2.45	3.43	126
NAPCT/YS-60-15	60	56	133	15	36	28	2.45	4.9	131
NAPCT/YS-60-30	60	56	170	30	58	50	2.9	5.88	156
NAPCT/YS-90-10	90		207	20			8.82	11.8	472
NAPCT/YS-90-30	90		237	50			6.76	15.6	506
NAPCT/YS-90-50	90		262	75			8.33	19.6	533

Note) Symbol F¹ in the table shows a spring load (N) at 0 stroke, and F² at full stroke.

Connector Mass (g)

	Tube O.D φ4	Tube O.D φ6
T	0.5	1.5
O	3.0	4.0

Pad with spring fitting, non-rotation / NAPCTH · YH

How to order

① ② ③ ④
 NAPC T H - 5-3 - N - T

① Vacuum port

T	Top port
Y	Side port

② Pad diameter - stroke (mm)

5-3	φ5-3	20-3	φ20-3
5-10	φ5-10	20-10	φ20-10
5-15	φ5-15	20-15	φ20-15
7-3	φ7-3	30-6	φ30-6
7-10	φ7-10	30-15	φ30-15
7-15	φ7-15	30-30	φ30-30
10-3	φ10-3	40-6	φ40-6
10-10	φ10-10	40-15	φ40-15
10-15	φ10-15	40-30	φ40-30
15-3	φ15-3	60-6	φ60-6
15-10	φ15-10	60-15	φ60-15
15-15	φ15-15	60-30	φ60-30
18-3	φ18-3		
18-10	φ18-10		
18-15	φ18-15		

③ Pad rubber material

N	NBR(Nitrile rubber)
S	Silicone rubber

Note) Please consult with us for other material.

④ Connector

Blank	-
T	Barb connector
O	Push-in connector

Fitting specifications

Description			φ5 ~ 60	
Vacuum port type			Top port	Side port
Connection type	Without connector		M5	M5
	Barb connector	φ4 × 2.5	×	×
		φ6 × 4	○ (M5)	○ (M5)
	Push-in connector	φ4 × 2.5	×	×
φ6 × 4		○ (M5)	○ (M5)	

Pad standard specifications

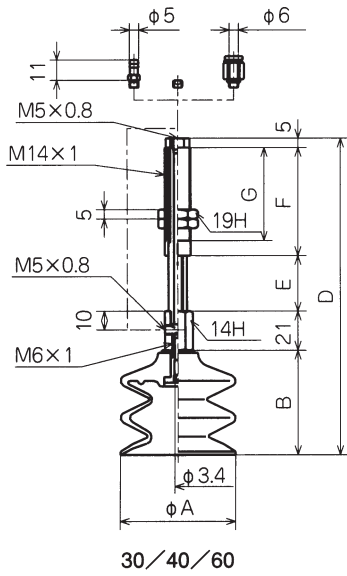
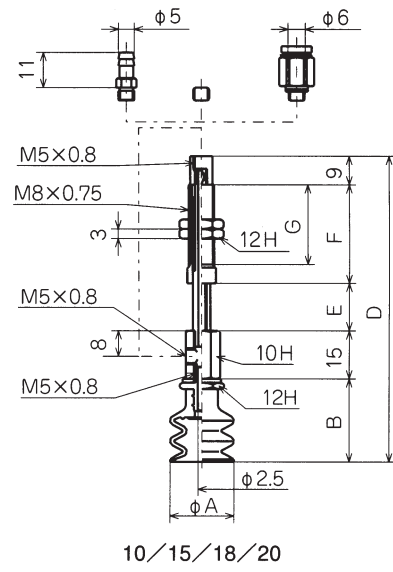
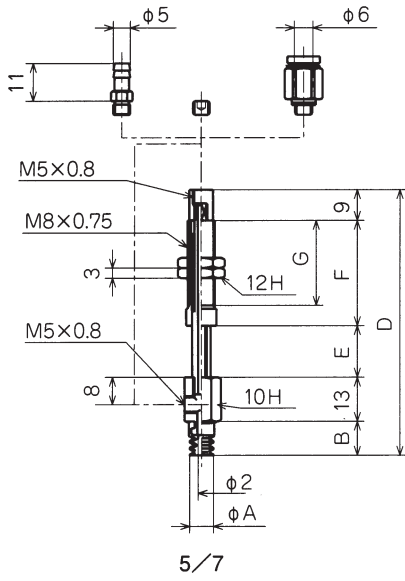
Symbol	Material	Hardness(Hs)	Ambient temperature	Color	Volume resistivity
N	NBR(Nitrile rubber)	A55/S	-26 ~ 120°C	Black	-
S	Silicone rubber	A55/S	-60 ~ 250°C	White	-

Applicable fitting table

	How to order	Round pad									
		5	7	10	15	18	20	30	40	60	
Fitting	Top port	NAPCTH-5-3-K	○	○							
		NAPCTH-5-10-K	○	○							
		NAPCTH-5-15-K	○	○							
		NAPCTH-10-3-K			○	○	○	○			
		NAPCTH-10-10-K			○	○	○	○			
		NAPCTH-10-15-K			○	○	○	○			
		NAPFTH-20B-6-K							○	○	○
		NAPFTH-20B-15-K							○	○	○
	NAPFTH-20B-30-K							○	○	○	
	Side port	NAPCYH-5-3-K	○	○							
		NAPCYH-5-10-K	○	○							
		NAPCYH-5-15-K	○	○							
		NAPCYH-10-3-K			○	○	○	○			
		NAPCYH-10-10-K			○	○	○	○			
NAPCYH-10-15-K				○	○	○	○				
	NAPFYH-20B-6-K							○	○	○	
	NAPFYH-20B-15-K							○	○	○	
	NAPFYH-20B-30-K							○	○	○	

Dimensions

(mm)



NAPCT/YH	A	B	D	E	F	G	F ¹	F ²	Mass (g)
NAPCT/YH-5-3	5	9.5	57.5	3	23	17	0.27	0.43	21
NAPCT/YH-5-10	5	9.5	64.5	10	23	17	0.27	0.82	21.5
NAPCT/YH-5-15	5	9.5	77	15	30.5	24.5	0.29	0.83	24.5
NAPCT/YH-7-3	7	10	58	3	23	17	0.27	0.43	21
NAPCT/YH-7-10	7	10	65	10	23	17	0.27	0.82	21.5
NAPCT/YH-7-15	7	10	77.5	15	30.5	24.5	0.29	0.83	24.5
NAPCT/YH-10-3	10	18	68	3	23	17	0.61	0.77	22.5
NAPCT/YH-10-10	10	18	75	10	23	17	0.61	1.17	23
NAPCT/YH-10-15	10	18	87.5	15	30.5	24.5	0.64	1.17	26
NAPCT/YH-15-3	15	26	76	3	23	17	0.61	0.77	23.5
NAPCT/YH-15-10	15	26	83	10	23	17	0.61	1.17	24
NAPCT/YH-15-15	15	26	95.5	15	30.5	24.5	0.64	1.17	27
NAPCT/YH-18-3	18	26	76	3	23	17	0.61	0.77	23.5
NAPCT/YH-18-10	18	26	83	10	23	17	0.61	1.17	24
NAPCT/YH-18-15	18	26	95.5	15	30.5	24.5	0.64	1.17	27
NAPCT/YH-20-3	20	26	76	3	23	17	0.61	0.77	24
NAPCT/YH-20-10	20	26	83	10	23	17	0.61	1.17	24.5
NAPCT/YH-20-15	20	26	95.5	15	30.5	24.5	0.64	1.17	27.5
NAPCT/YH-30-6	30	38.5	106.5	6	36	28	2.45	3.43	78
NAPCT/YH-30-15	30	38.5	115.5	15	36	28	2.45	4.9	83
NAPCT/YH-30-30	30	38.5	152.5	30	58	50	2.9	5.88	107
NAPCT/YH-40-6	40	47	115	6	36	28	2.45	3.43	89
NAPCT/YH-40-15	40	47	124	15	36	28	2.45	4.9	94
NAPCT/YH-40-30	40	47	161	30	58	50	2.9	5.88	118
NAPCT/YH-60-6	60	56	124	6	36	28	2.45	3.43	124
NAPCT/YH-60-15	60	56	133	15	36	28	2.45	4.9	129
NAPCT/YH-60-30	60	56	170	30	58	50	2.9	5.88	153

Note) Symbol F¹ in the table shows a spring load (N) at 0 stroke, and F² at full stroke.

Connector Mass (g)

	Tube O.D φ4	Tube O.D φ6
T	0.5	1.5
O	3.0	4.0

3 bellows pad / PCG

How to order

PCG - ^①5 - ^②N

① Pad diameter (mm)

5	φ5	20	φ20
7	φ7	30	φ30
10	φ10	40	φ40
15	φ15	60	φ60
18	φ18	90	φ90

② Pad rubber material

N	NBR(Nitrile rubber)
S	Silicone rubber

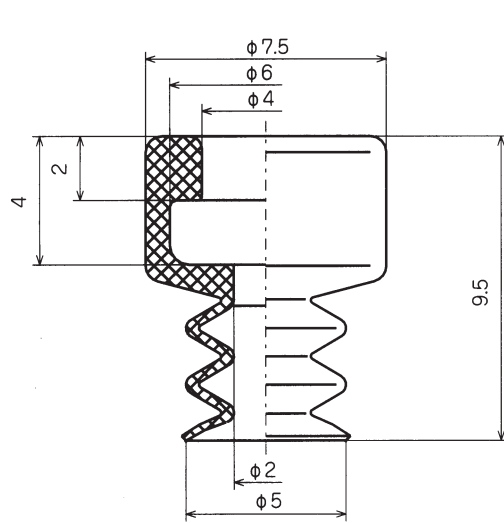
Note) Please consult with us for other material.

Pad standard specifications

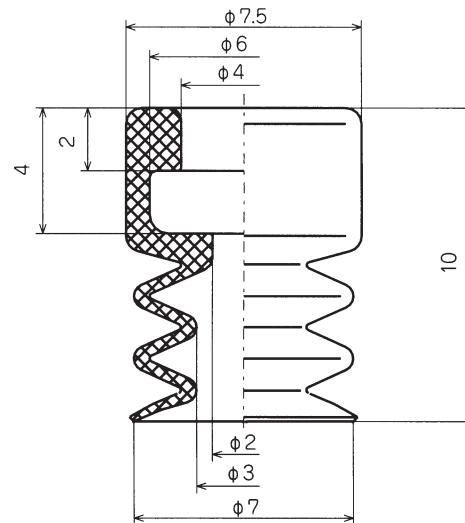
Symbol	Material	Hardness(Hs)	Ambient temperature	Color	Volume resistivity
N	NBR(Nitrile rubber)	A55/S	-26 ~ 120°C	Black	-
S	Silicone rubber	A55/S	-60 ~ 250°C	White	-

Dimensions

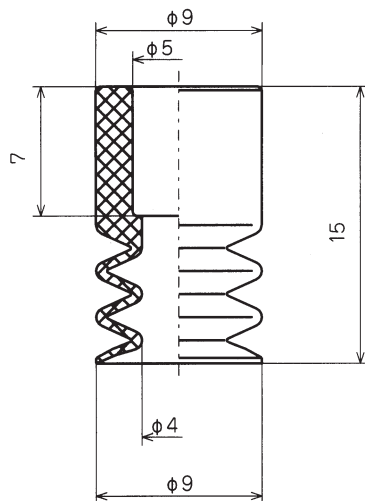
(mm)



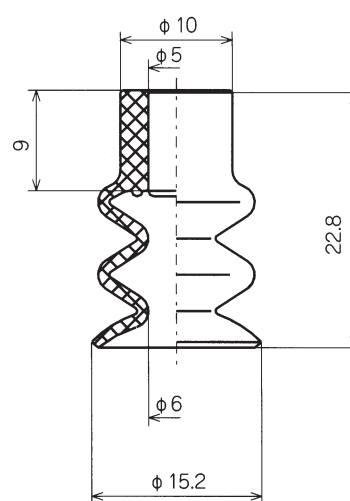
PCG-5



PCG-7



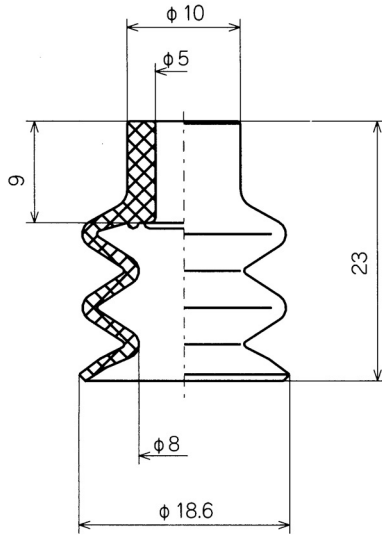
PCG-10



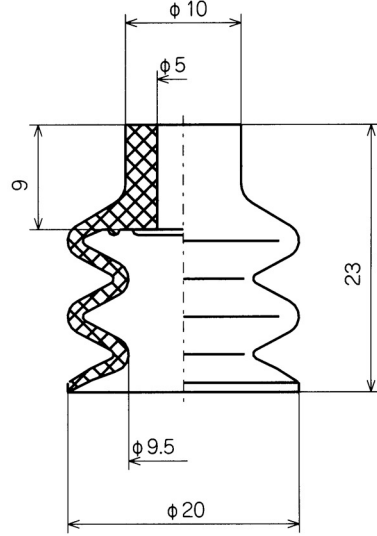
PCG-15

Dimensions

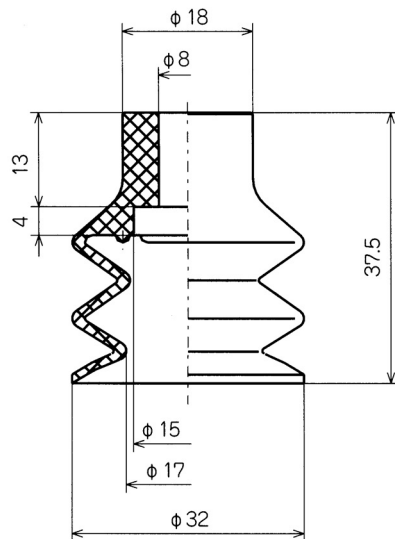
(mm)



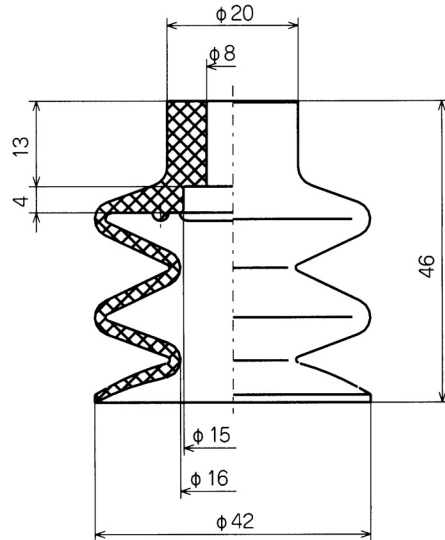
PCG-18



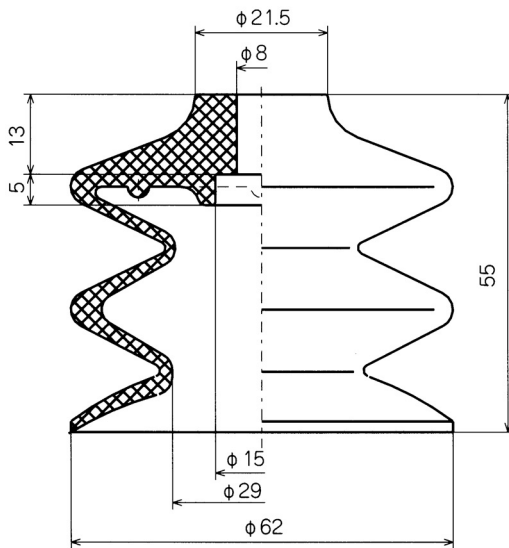
PCG-20



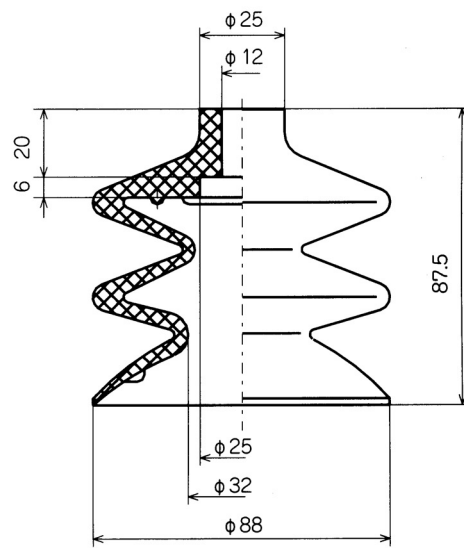
PCG-30



PCG-40



PCG-60



PCG-90