

Parker Worldwide

AE – UAE, Dubai

Tel: +971 4 8127100
parker.me@parker.com

AR – Argentina, Buenos Aires

Tel: +54 3327 44 4129

AT – Austria, Wiener Neustadt

Tel: +43 (0)2622 23501-0
parker.austria@parker.com

AT – Eastern Europe,

Wiener Neustadt
Tel: +43 (0)2622 23501 900
parker.easteurope@parker.com

AU – Australia, Castle Hill

Tel: +61 (0)2-9634 7777

AZ – Azerbaijan, Baku

Tel: +994 50 2233 458
parker.azerbaijan@parker.com

BE/LU – Belgium, Nivelles

Tel: +32 (0)67 280 900
parker.belgium@parker.com

BR – Brazil, Cachoeirinha RS

Tel: +55 51 3470 9144

BY – Belarus, Minsk

Tel: +375 17 209 9399
parker.belarus@parker.com

CA – Canada, Milton, Ontario

Tel: +1 905 693 3000

CH – Switzerland, Etoy

Tel: +41 (0) 21 821 02 30
parker.switzerland@parker.com

CL – Chile, Santiago

Tel: +56 2 623 1216

CN – China, Shanghai

Tel: +86 21 2899 5000

CZ – Czech Republic, Klecany

Tel: +420 284 083 111
parker.czechrepublic@parker.com

DE – Germany, Kaarst

Tel: +49 (0)2131 4016 0
parker.germany@parker.com

DK – Denmark, Ballerup

Tel: +45 43 56 04 00
parker.denmark@parker.com

ES – Spain, Madrid

Tel: +34 902 33 00 01
parker.spain@parker.com

FI – Finland, Vantaa

Tel: +358 (0)20 753 2500
parker.finland@parker.com

FR – France, Contamine s/Arve

Tel: +33 (0)4 50 25 80 25
parker.france@parker.com

GR – Greece, Athens

Tel: +30 210 933 6450
parker.greece@parker.com

HK – Hong Kong

Tel: +852 2428 8008

HU – Hungary, Budapest

Tel: +36 1 220 4155
parker.hungary@parker.com

IE – Ireland, Dublin

Tel: +353 (0)1 466 6370
parker.ireland@parker.com

IN – India, Mumbai

Tel: +91 22 6513 7081-85

IT – Italy, Corsico (MI)

Tel: +39 02 45 19 21
parker.italy@parker.com

JP – Japan, Tokyo

Tel: +(81) 3 6408 3901

KR – South Korea, Seoul

Tel: +82 2 559 0400

KZ – Kazakhstan, Almaty

Tel: +7 7272 505 800
parker.easteurope@parker.com

LV – Latvia, Riga

Tel: +371 6 745 2601
parker.latvia@parker.com

MX – Mexico, Apodaca

Tel: +52 81 8156 6000

MY – Malaysia, Shah Alam

Tel: +60 3 7849 0800

NL – The Netherlands,

Oldenzaal
Tel: +31 (0)541 585 000
parker.nl@parker.com

NO – Norway, Ski

Tel: +47 64 91 10 00
parker.norway@parker.com

NZ – New Zealand, Mt Wellington

Tel: +64 9 574 1744

PL – Poland, Warsaw

Tel: +48 (0)22 573 24 00
parker.poland@parker.com

PT – Portugal, Leca da Palmeira

Tel: +351 22 999 7360
parker.portugal@parker.com

RO – Romania, Bucharest

Tel: +40 21 252 1382
parker.romania@parker.com

RU – Russia, Moscow

Tel: +7 495 645-2156
parker.russia@parker.com

SE – Sweden, Spånga

Tel: +46 (0)8 59 79 50 00
parker.sweden@parker.com

SG – Singapore

Tel: +65 6887 6300

SK – Slovakia, Banská Bystrica

Tel: +421 484 162 252
parker.slovakia@parker.com

SL – Slovenia, Novo Mesto

Tel: +386 7 337 6650
parker.slovenia@parker.com

TH – Thailand, Bangkok

Tel: +662 717 8140

TR – Turkey, Istanbul

Tel: +90 216 4997081
parker.turkey@parker.com

TW – Taiwan, Taipei

Tel: +886 2 2298 8987

UA – Ukraine, Kiev

Tel +380 44 494 2731
parker.ukraine@parker.com

UK – United Kingdom,

Warwick
Tel: +44 (0)1926 317 878
parker.uk@parker.com

US – USA, Cleveland

Tel: +1 216 896 3000

VE – Venezuela, Caracas

Tel: +58 212 238 5422

ZA – South Africa,

Kempton Park
Tel: +27 (0)11 961 0700
parker.southafrica@parker.com



Fluid System Connectors
Division Europe

Legris SAS

Parker Hannifin Group

BP 70411 - 74 rue de Paris
35704 Rennes Cedex 7

phone : +33 (2) 99 25 55 00

fax : +33 (2) 99 25 55 99

www.parkerconnectic.com



aerospace
climate control
electromechanical
filtration
fluid & gas handling
hydraulics
pneumatics
process control
sealing & shielding



LF 3900 / LF 3800

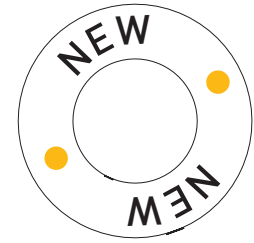
New range of stainless steel instant fittings 316L



ENGINEERING YOUR SUCCESS.

LF 3900 and LF 3800 stainless steel instant fittings

New range of 316L stainless steel instant fittings combining robustness and hygienic design



The largest range on the market

- Two new product ranges for demanding conditions of use :
 - **LF 3900** : a range of instant fittings in full 316L stainless steel, with FKM seals, for optimum resistance to aggressive environments.
 - **LF 3800** : a range of instant fittings in 316L stainless steel with 303 (collet) and FKM seals, for elemental chemical resistance and a competitive price positioning.
- **19 different product body shapes**, diameters from 4mm, to 12 mm, threads from M5 to 1/2.
- **2 thread types**: taper and parallel.



- **LF 3900 and 3800 instant fittings can be used :**
 - for permanent contact with foodstuffs
 - in saline environments
 - for external applications
 - for industrial cleaning with use of detergents
 - when components need to be frequently sterilized
- **These fittings are designed for industries such as :**
 - food process
 - medical and pharmaceutical industries
 - chemical and petrochemical industries
 - paper industry

CONDITIONS OF USE :

Working pressure: maxi 30 bar*

Working temperature: -20° to +120°C**

Vacuum: 99%

* Maxi 20 bar for items 3979 / 3879 and 3989 / 3889

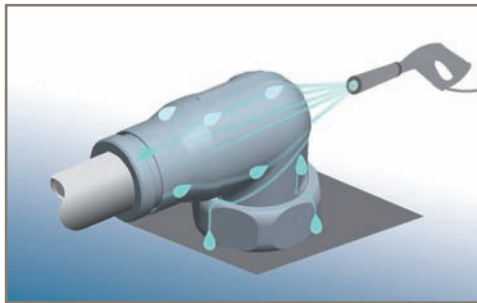
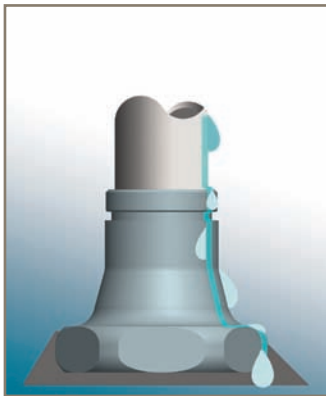
** For higher temperatures (up to 150°C), please do not hesitate to contact us.

Reliable and robust design

- **Proven gripping technology**
 - The collet guarantees excellent gripping and improved pull-out forces for soft tubing.
 - The collet is resistant to mechanical shocks and prevents whiplash, in particular when using metallic (pre-grooved) tubing.
- **Simple and reliable design.**
- **100 % unit control and dating of manufactured components** in order to guarantee quality, traceability and performance.
- **FKM seal** resistant to the majority of aggressive chemicals.
- **Pressure rating : 30 bar, temperature capability : 120°C.**
- **Sealed bulkhead connectors** (to IP51) enabling complete protection against detrimental ingress in dry and moist zone areas.



Hygienic design



- Nutrient grade materials and USDA NSF H1 grease conforming to FDA and 1934/2004 CE standards, permitting permanent contact with foodstuffs.
- A permissible all metal product, avoiding the risk of non-detection of misplaced components.
- A very smooth surface design aimed at reducing retention zones for safe and easy cleaning:
 - Compact fittings with a polished surface for improved cleaning.
 - Self draining design naturally ensures the dispersion of external fluids.
 - Ra > 0.8 surface prevents food deposits from adhering to body.
 - Minimum space between release button and body of fitting.
 - Aerodynamic body shape, without dead zones or fixing holes, for improved and quicker fluid pressure cleaning.
 - A range of parallel sub bases, reducing potential retention zone areas.

> **LF 3900** and **LF 3800** fittings conform to the following standards:



All materials in contact with food are in compliance with the American Food and Drug Administration and European directive 1935/2004/CE.



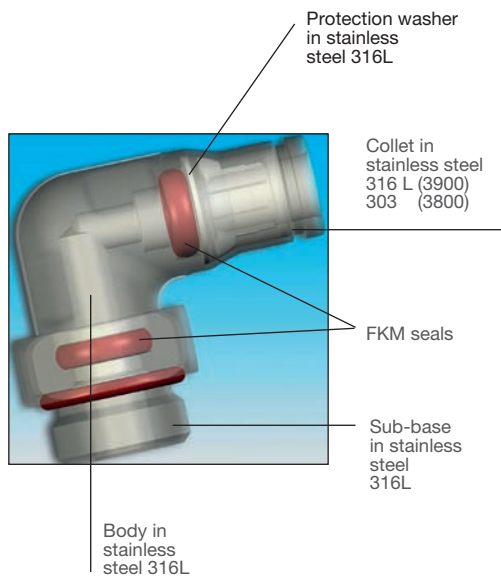
RoHs

Reduction of Hazardous Substances – 2002/95/CE.
All products shown in this catalogue are RoHs certified.

Our instant fittings and tubes are guaranteed phthalate, BPA and silicone free.

Technical Specifications

Technical conditions of use



| | |
|------------------------|---|
| Working pressure | 30 bar* maximum dependant on tubing used * Maxi 20 bar for 3979 / 3979 and 3989 / 3889 |
| Working temperature | from -20° to +120°C* dependant on the type and size of tubing *For higher temperatures (up to 150°C), please do not hesitate to contact us. |
| Compatible fluids | all fluids compatible with fitting and tubing materials |
| Material specification | <ul style="list-style-type: none"> body : stainless steel 316L collet : <ul style="list-style-type: none"> - stainless steel 316L (LF 3900) - stainless steel 303 (LF 3800) washer : stainless steel 316L "O" ring : FKM |

Tightening torque for bulkhead fittings with O-ring

| Maximum tightening torque for BSPP threads with O-ring | Thread | Maxi tightening torque | Tightening torque for bulkhead washer | Diameter | Mini tightening torque | Maxi tightening torque |
|--|-----------|------------------------|---------------------------------------|-----------|------------------------|------------------------|
| | M5 | 0.16 daN.m | | 4 mm | 0.5 daN.m | 0.9 daN.m |
| G1/8 | 0.8 daN.m | 6 mm | 0.5 daN.m | 0.9 daN.m | | |
| G1/4 | 1.2 daN.m | 8 mm | 0.6 daN.m | 1 daN.m | | |
| G3/8 | 3 daN.m | 10 mm | 0.6 daN.m | 1 daN.m | | |
| G1/2 | 3.5 daN.m | 12 mm | 0.6 daN.m | 1 daN.m | | |

Precautions

- LF 3900 and LF 3800 can be used at 30 bar with grooved stainless steel tube.
Precautions to be taken when using stainless steel tube :
 - deburr the tube in order to avoid damage to the seal
 - groove the tube
 - check that the collet correctly grips the tube
- Precautions to be taken when using FEP tubing at high temperature (above 40°C for example) : a ferrule must be used, apart from the 4 mm size.
- It is recommended to recut FEP tubing after disconnection in order to avoid possible leakage when reused.
- For taper thread sub-bases, a pre-coating must be added (FEP tape or sealant).
- In applications where access is difficult, disconnection tool (part number 3000 70 xx) helps to remove the tube from the fitting.

Chemical Resistance for LF 3900 and LF 3800

1

2

3

4

Very acceptable

Acceptable

Slightly unacceptable

Do not use

| Description | Chemical Symbols | LF | |
|------------------------------|------------------|---------------------|------|
| | | 3800 | 3900 |
| Air | | 1 | 1 |
| Fatty amonium acetates | | 1 | 1 |
| Acetic acid (10%, 20°C) | CH3COOH | 1 | 1 |
| Acetic acid (100%, 20°C) | CH3COOH | 3 | 3 |
| Acetic acid (50%, 20°C) | CH3COOH | 2 | 2 |
| Acetic acid (50%, 70°C) | CH3COOH | 3 | 3 |
| Phosphoric acid (60%, 23°C) | H3PO4 | 2 | 1 |
| Ammonia gas | NH3 | 4 | 4 |
| Ammonia liquid | | 4 | 4 |
| Saline environment | | 4 | 2 |
| Nitrogen | N2 | 1 | 1 |
| Benzene | C6H6 | * please consult us | |
| Beer | | 1* | 1* |
| Carconate Drinks (Coca Cola) | | 2* | 2* |
| Bromine liquid | Br2 | 4 | 4 |
| CO2 | CO2 | 1* | 1* |
| Dioxane | C4H8O2 | 4 | 4 |
| Water (100°C) | H2O | 1 | 1 |
| Water (24°C) | H2O | 1 | 1 |
| Water demineralised | | 2* | 1* |
| Sea water | | 4 | 3 |
| Methyl Alcohol (23°C) | C2H5OH | 2 | 2 |
| Methyl Alcohol (85°C) | C2H5OH | 3 | 3 |
| Fluor dry, gas | F2 | * please consult us | |
| Fuel oil | | * please consult us | |
| Gasoline | | * please consult us | |
| Inert gases | | 1* | 1* |

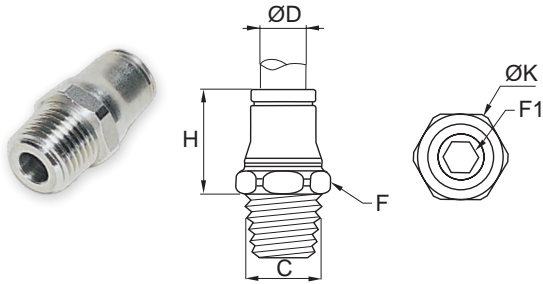
| Description | Chemical Symbols | LF | |
|---------------------------------|------------------|---------------------|------|
| | | 3800 | 3900 |
| Glucose | | 1 | 1 |
| Grease | | 1 | 1 |
| Hexane | C6H14 | 2 | 2 |
| Animal oil (lard oil) | | 1 | 1 |
| Olive oil | | 1 | 1 |
| Vegetable oil | | 1 | 1 |
| Hydrogen gas | | * please consult us | |
| Castor oil | | 2 | 2 |
| Potassium Hydroxide (27%, 23°C) | KOH | 2 | 2 |
| Sodium Hypochloride (12%) | | 4 | 4 |
| Sodium Hypochloride (5%) | | 3 | 2 |
| Isopropyl alcohol (23°C) | C3H7OH | 1 | 1 |
| Isopropyl alcohol (85°C) | C3H7OH | 2 | 2 |
| Milk | | * please consult us | |
| Mercury | Hg | 1 | 1 |
| Methanol | CH3OH | 4 | 4 |
| Oxygen | O2 | * please consult us | |
| Sodium phosphate | NA3PO4 | 2 | 1 |
| Propane gas | | * please consult us | |
| Propylene glycol | | 2 | 1 |
| Potassium silicates | K2O8SI2 | 1 | 1 |
| Sodium silicate | NA2O8SI2 | 1 | 1 |
| Caustic soda (10%, 20°C) | NAOH | 1 | 1 |
| Caustic soda (50%, 23°C) | NAOH | 2 | 2 |
| Caustic soda (50%, 85°C) | NAOH | 3 | 2 |
| Steam (150°C) | | * please consult us | |
| Wine | | 1* | 1* |

*

please consult our technical department regarding conditions of use

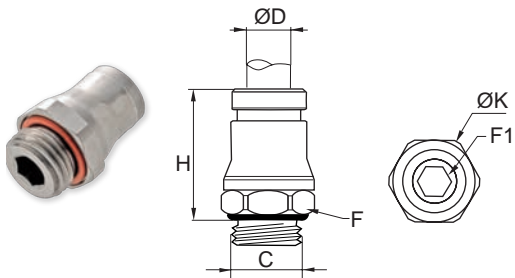
Threaded Fittings

3905 / 3805 Male stud fitting – BSP taper



| ØD | C | LF 3900 | LF 3800 | F | F1 | H | ØK | KG |
|----|------|------------|------------|----|----|------|------|-------|
| 4 | R1/8 | 3905 04 10 | 3805 04 10 | 10 | 3 | 14,5 | 11 | 0,008 |
| 4 | R1/4 | 3905 04 13 | 3805 04 13 | 14 | 3 | 14,5 | 15 | 0,016 |
| 6 | R1/8 | 3905 06 10 | 3805 06 10 | 13 | 4 | 18 | 14 | 0,012 |
| 6 | R1/4 | 3905 06 13 | 3805 06 13 | 14 | 4 | 16,5 | 15 | 0,018 |
| 8 | R1/8 | 3905 08 10 | 3805 08 10 | 15 | 5 | 20,5 | 16,5 | 0,014 |
| 8 | R1/4 | 3905 08 13 | 3805 08 13 | 15 | 5 | 19 | 16,5 | 0,019 |
| 8 | R3/8 | 3905 08 17 | 3805 08 17 | 17 | 6 | 19 | 18,5 | 0,026 |
| 10 | R1/4 | 3905 10 13 | 3805 10 13 | 19 | 6 | 24 | 21 | 0,030 |
| 10 | R3/8 | 3905 10 17 | 3805 10 17 | 19 | 7 | 22,5 | 21 | 0,035 |
| 12 | R1/4 | 3905 12 13 | 3805 12 13 | 22 | 7 | 25 | 24 | 0,036 |
| 12 | R3/8 | 3905 12 17 | 3805 12 17 | 22 | 8 | 24 | 24 | 0,040 |
| 12 | R1/2 | 3905 12 21 | 3805 12 21 | 22 | 10 | 23 | 24 | 0,049 |

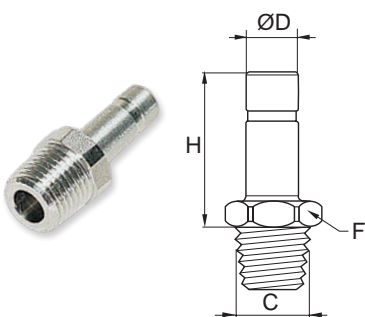
3901 / 3801 Male stud fitting – BSP parallel and M5



| ØD | C | LF 3900 | LF 3800 | F | F1 | H | ØK | KG |
|----|--------|-------------|-------------|----|-----|------|------|-------|
| 4 | M5x0,8 | 3901 04 19* | 3801 04 19* | 10 | 2,5 | 16 | 11 | 0,004 |
| 4 | G1/8 | 3901 04 10 | 3801 04 10 | 13 | 3 | 15 | 14 | 0,010 |
| 6 | M5x0,8 | 3901 06 19* | 3801 06 19* | 13 | 2,5 | 20,5 | 14 | 0,096 |
| 6 | G1/8 | 3901 06 10 | 3801 06 10 | 13 | 4 | 18 | 14 | 0,011 |
| 6 | G1/4 | 3901 06 13 | 3801 06 13 | 17 | 4 | 18 | 18,5 | 0,016 |
| 8 | G1/8 | 3901 08 10 | 3801 08 10 | 15 | 5 | 19 | 16,5 | 0,014 |
| 8 | G1/4 | 3901 08 13 | 3801 08 13 | 17 | 5 | 20,5 | 18,5 | 0,019 |
| 8 | G3/8 | 3901 08 17 | 3801 08 17 | 21 | 6 | 20 | 23 | 0,029 |
| 10 | G1/4 | 3901 10 13 | 3801 10 13 | 18 | 7 | 25 | 19,5 | 0,024 |
| 10 | G3/8 | 3901 10 17 | 3801 10 17 | 21 | 7 | 25 | 23 | 0,036 |
| 12 | G1/4 | 3901 12 13 | 3801 12 13 | 21 | 7 | 27 | 23 | 0,031 |
| 12 | G3/8 | 3901 12 17 | 3801 12 17 | 21 | 9 | 26,5 | 23 | 0,035 |

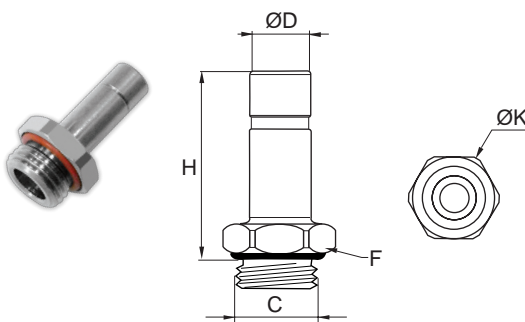
* sub-base FKM seal

3921 / 3821 Male standpipe – BSP taper



| ØD | C | LF 3900 | LF 3800 | F | H | KG |
|----|------|------------|------------|----|----|-------|
| 4 | R1/8 | 3921 04 10 | 3821 04 10 | 10 | 21 | 0,006 |
| 6 | R1/8 | 3921 06 10 | 3821 06 10 | 10 | 23 | 0,008 |
| 6 | R1/4 | 3921 06 13 | 3821 06 13 | 14 | 24 | 0,017 |
| 8 | R1/8 | 3921 08 10 | 3821 08 10 | 10 | 24 | 0,007 |
| 8 | R1/4 | 3921 08 13 | 3821 08 13 | 14 | 25 | 0,020 |
| 10 | R1/4 | 3921 10 13 | 3821 10 13 | 14 | 30 | 0,023 |
| 10 | R3/8 | 3921 10 17 | 3821 10 17 | 17 | 30 | 0,023 |
| 12 | R1/4 | 3921 12 13 | 3821 12 13 | 14 | 31 | 0,025 |
| 12 | R3/8 | 3921 12 17 | 3821 12 17 | 17 | 31 | 0,031 |
| 12 | R1/2 | 3921 12 21 | 3821 12 21 | 22 | 32 | 0,052 |

3931 / 3831 Male standpipe – BSP parallel and M5

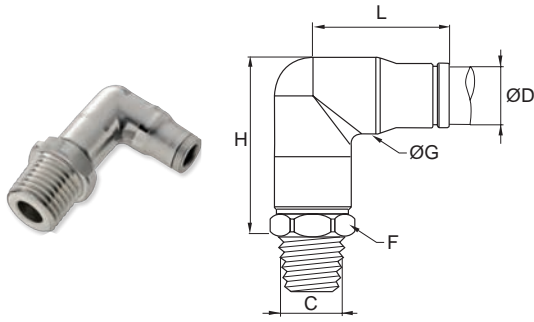


| ØD | C | LF 3900 | LF 3800 | F | H | ØK | KG |
|----|--------|-------------|-------------|----|------|------|-------|
| 4 | M5x0,8 | 3931 04 19* | 3831 04 19* | 7 | 23,5 | 8 | 0,003 |
| 4 | G1/8 | 3931 04 10 | 3831 04 10 | 13 | 22 | 14 | 0,008 |
| 4 | G1/4 | 3931 04 13 | 3831 04 13 | 17 | 22 | 18,5 | 0,015 |
| 6 | G1/8 | 3931 06 10 | 3831 06 10 | 13 | 24 | 14 | 0,009 |
| 6 | G1/4 | 3931 06 13 | 3831 06 13 | 17 | 24 | 18,5 | 0,015 |
| 8 | G1/8 | 3931 08 10 | 3831 08 10 | 13 | 25 | 14 | 0,099 |
| 8 | G1/4 | 3931 08 13 | 3831 08 13 | 17 | 27 | 18,5 | 0,019 |
| 8 | G3/8 | 3931 08 17 | 3831 08 17 | 21 | 27 | 23 | 0,025 |
| 10 | G1/4 | 3931 10 13 | 3831 10 13 | 17 | 32 | 18,5 | 0,021 |
| 10 | G3/8 | 3931 10 17 | 3831 10 17 | 21 | 27 | 23 | 0,026 |
| 12 | G1/4 | 3931 12 13 | 3831 12 13 | 17 | 33 | 18,5 | 0,022 |
| 12 | G3/8 | 3931 12 17 | 3831 12 17 | 21 | 33 | 23 | 0,028 |
| 12 | G1/2 | 3931 12 21 | 3831 12 21 | 24 | 36 | 26 | 0,045 |

* sub-base FKM seal

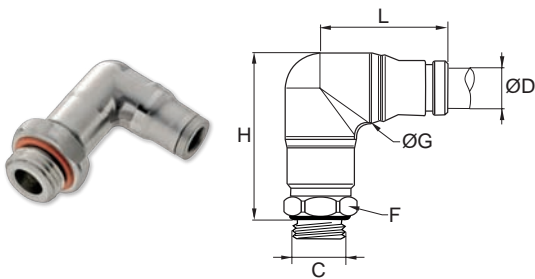
Threaded Fittings

3909 / 3809 Male stud elbow – BSP taper



| ØD | C | LF 3900 | LF 3800 | F | G | H | L | KG |
|----|------|------------|------------|----|------|----|------|-------|
| 4 | R1/8 | 3909 04 10 | 3809 04 10 | 10 | 11 | 25 | 19 | 0,021 |
| 4 | R1/4 | 3909 04 13 | 3809 04 13 | 14 | 11 | 26 | 19 | 0,028 |
| 6 | R1/8 | 3909 06 10 | 3809 06 10 | 13 | 12 | 30 | 24 | 0,031 |
| 6 | R1/4 | 3909 06 13 | 3809 06 13 | 14 | 12 | 30 | 24 | 0,037 |
| 8 | R1/8 | 3909 08 10 | 3809 08 10 | 14 | 14,5 | 34 | 24,9 | 0,040 |
| 8 | R1/4 | 3909 08 13 | 3809 08 13 | 14 | 14,5 | 34 | 24,9 | 0,047 |
| 10 | R1/4 | 3909 10 13 | 3809 10 13 | 19 | 17,5 | 39 | 31 | 0,068 |
| 10 | R3/8 | 3909 10 17 | 3809 10 17 | 19 | 17,5 | 39 | 31 | 0,690 |

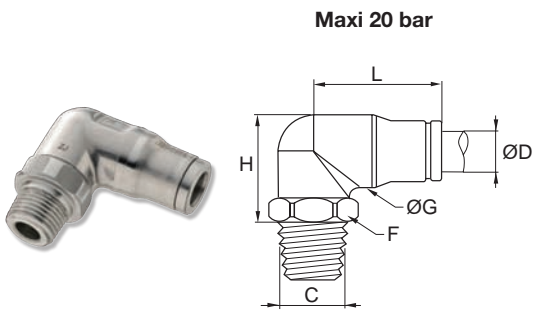
3999 / 3899 Male stud elbow – BSP parallel and M5



| ØD | C | LF 3900 | LF 3800 | F | G | H | L | KG |
|----|--------|-------------|-------------|----|----|------|----|-------|
| 4 | M5x0,8 | 3999 04 19* | 3899 04 19* | 10 | 10 | 27 | 19 | 0,017 |
| 4 | G1/8 | 3999 04 10 | 3899 04 10 | 13 | 10 | 27 | 19 | 0,021 |
| 4 | G1/4 | 3999 04 13 | 3899 04 13 | 17 | 10 | 27 | 19 | 0,028 |
| 6 | M5x0,8 | 3999 06 19* | 3899 06 19* | 13 | 12 | 33 | 24 | 0,031 |
| 6 | G1/8 | 3999 06 10 | 3899 06 10 | 13 | 12 | 33 | 24 | 0,031 |
| 6 | G1/4 | 3999 06 13 | 3899 06 13 | 17 | 12 | 32 | 24 | 0,036 |
| 8 | G1/8 | 3999 08 10 | 3899 08 10 | 14 | 15 | 35 | 25 | 0,039 |
| 8 | G1/4 | 3999 08 13 | 3899 08 13 | 17 | 15 | 35 | 25 | 0,045 |
| 8 | G3/8 | 3999 08 17 | 3899 08 17 | 21 | 15 | 34,5 | 25 | 0,050 |
| 10 | G1/4 | 3999 10 13 | 3899 10 13 | 18 | 17 | 43 | 31 | 0,067 |
| 10 | G3/8 | 3999 10 17 | 3899 10 17 | 21 | 17 | 42 | 31 | 0,073 |

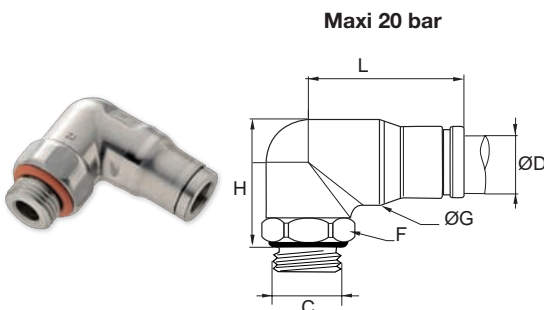
* sub-base FKM seal

3989 / 3889 Compact male stud elbow – BSP taper



| ØD | C | LF 3900 | LF 3800 | F | G | H | L | KG |
|----|------|------------|------------|----|------|------|----|-------|
| 4 | R1/8 | 3989 04 10 | 3889 04 10 | 13 | 11 | 18 | 19 | 0,019 |
| 4 | R1/4 | 3989 04 13 | 3889 04 13 | 14 | 11 | 18 | 19 | 0,026 |
| 6 | R1/8 | 3989 06 10 | 3889 06 10 | 13 | 12 | 20 | 24 | 0,026 |
| 6 | R1/4 | 3989 06 13 | 3889 06 13 | 14 | 12 | 20 | 23 | 0,033 |
| 8 | R1/8 | 3989 08 10 | 3889 08 10 | 13 | 14,5 | 24,5 | 32 | 0,036 |
| 8 | R1/4 | 3989 08 13 | 3889 08 13 | 14 | 14,5 | 23,5 | 24 | 0,040 |
| 8 | R3/8 | 3989 08 17 | 3889 08 17 | 19 | 15 | 23 | 25 | 0,053 |
| 10 | R1/4 | 3989 10 13 | 3889 10 13 | 17 | 17 | 27 | 31 | 0,060 |
| 10 | R3/8 | 3989 10 17 | 3889 10 17 | 19 | 17 | 26 | 31 | 0,064 |
| 12 | R1/4 | 3989 12 13 | 3889 12 13 | 22 | 20 | 31,5 | 33 | 0,091 |
| 12 | R3/8 | 3989 12 17 | 3889 12 17 | 22 | 20 | 32,5 | 33 | 0,090 |
| 12 | R1/2 | 3989 12 21 | 3889 12 21 | 22 | 20 | 27,5 | 33 | 0,095 |

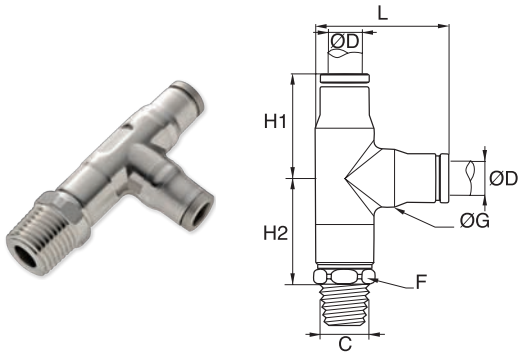
3979 / 3879 Compact male stud elbow – BSP parallel



| ØD | C | LF 3900 | LF 3800 | F | G | H | L | KG |
|----|------|------------|------------|----|----|----|----|-------|
| 4 | G1/8 | 3979 04 10 | 3879 04 10 | 10 | 11 | 22 | 19 | 0,013 |
| 4 | G1/4 | 3979 04 13 | 3879 04 13 | 17 | 11 | 20 | 19 | 0,027 |
| 6 | G1/8 | 3979 06 10 | 3879 06 10 | 13 | 12 | 24 | 24 | 0,025 |
| 6 | G1/4 | 3979 06 13 | 3879 06 13 | 17 | 12 | 22 | 24 | 0,034 |
| 8 | G1/8 | 3979 08 10 | 3879 08 10 | 13 | 15 | 25 | 25 | 0,033 |
| 8 | G1/4 | 3979 08 13 | 3879 08 13 | 17 | 15 | 25 | 25 | 0,040 |
| 8 | G3/8 | 3979 08 17 | 3879 08 17 | 21 | 15 | 23 | 25 | 0,510 |
| 10 | G1/4 | 3979 10 13 | 3879 10 13 | 18 | 17 | 43 | 31 | 0,670 |
| 10 | G3/8 | 3979 10 17 | 3879 10 17 | 21 | 17 | 40 | 31 | 0,072 |
| 12 | G1/4 | 3979 12 13 | 3879 12 13 | 17 | 20 | 33 | 33 | 0,074 |
| 12 | G3/8 | 3979 12 17 | 3879 12 17 | 21 | 20 | 33 | 33 | 0,082 |
| 12 | G1/2 | 3979 12 21 | 3879 12 21 | 24 | 20 | 30 | 33 | 0,096 |

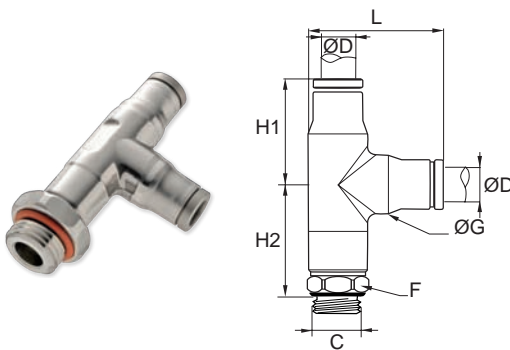
Threaded Fittings

3903 / 3803 Male stud run tee – BSP taper



| ØD | C | LF 3900 | LF 3800 | F | G | H1 | H2 | L | KG |
|----|------|------------|------------|----|------|----|----|------|-------|
| 4 | R1/8 | 3903 04 10 | 3803 04 10 | 10 | 11 | 19 | 20 | 24,5 | 0,025 |
| 4 | R1/4 | 3903 04 13 | 3803 04 13 | 14 | 11 | 19 | 20 | 26,5 | 0,035 |
| 6 | R1/8 | 3903 06 10 | 3803 06 10 | 13 | 12 | 24 | 24 | 30 | 0,038 |
| 6 | R1/4 | 3903 06 13 | 3803 06 13 | 14 | 12 | 24 | 24 | 30 | 0,045 |
| 8 | R1/8 | 3903 08 10 | 3803 08 10 | 14 | 14,5 | 25 | 27 | 32 | 0,051 |
| 8 | R1/4 | 3903 08 13 | 3803 08 13 | 14 | 14,5 | 25 | 27 | 32 | 0,057 |
| 8 | R3/8 | 3903 08 17 | 3803 08 17 | 19 | 15 | 25 | 26 | 34,5 | 0,068 |
| 10 | R1/4 | 3903 10 13 | 3803 10 13 | 19 | 17 | 31 | 31 | 39 | 0,082 |
| 10 | R3/8 | 3903 10 17 | 3803 10 17 | 19 | 17 | 31 | 31 | 39 | 0,083 |

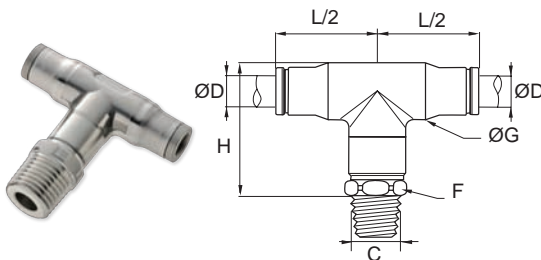
3993 / 3893 Male stud run tee – BSP parallel and M5



| ØD | C | LF 3900 | LF 3800 | F | G | H1 | H2 | L | KG |
|----|--------|-------------|-------------|----|----|----|------|------|-------|
| 4 | M5x0,8 | 3993 04 19* | 3893 04 19* | 10 | 11 | 19 | 21,5 | 24,5 | 0,027 |
| 4 | G1/8 | 3993 04 10 | 3893 04 10 | 13 | 11 | 19 | 21,5 | 25,5 | 0,027 |
| 4 | G1/4 | 3993 04 13 | 3893 04 13 | 17 | 11 | 19 | 21,9 | 28,3 | 0,034 |
| 6 | G1/8 | 3993 06 10 | 3893 06 10 | 13 | 12 | 24 | 26,5 | 30 | 0,038 |
| 6 | G1/4 | 3993 06 13 | 3893 06 13 | 17 | 12 | 24 | 25,9 | 32 | 0,044 |
| 8 | G1/8 | 3993 08 10 | 3893 08 10 | 14 | 15 | 25 | 27,5 | 32 | 0,050 |
| 8 | G1/8 | 3993 08 13 | 3893 08 13 | 17 | 15 | 25 | 28,2 | 33,5 | 0,055 |
| 8 | G3/8 | 3993 08 17 | 3893 08 17 | 21 | 15 | 25 | 27,3 | 35,5 | 0,060 |
| 10 | G1/4 | 3993 10 13 | 3893 10 13 | 18 | 17 | 31 | 35,6 | 39,6 | 0,080 |
| 10 | G3/8 | 3993 10 17 | 3893 10 17 | 21 | 17 | 31 | 33,6 | 41 | 0,086 |

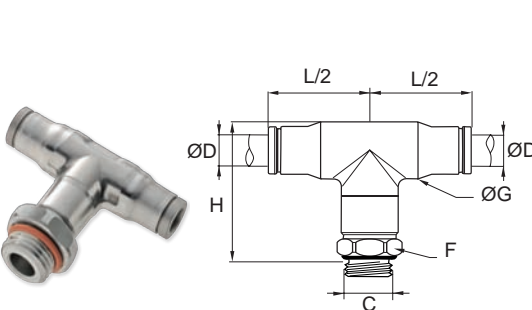
* sub-base FKM seal

3908 / 3808 Male stud branch tee – BSP taper



| ØD | C | LF 3900 | LF 3800 | F | G | H | L/2 | KG |
|----|------|------------|------------|----|------|----|-----|-------|
| 4 | R1/8 | 3908 04 10 | 3808 04 10 | 11 | 11 | 25 | 19 | 0,025 |
| 4 | R1/4 | 3908 04 13 | 3808 04 13 | 14 | 11 | 26 | 19 | 0,035 |
| 6 | R1/8 | 3908 06 10 | 3808 06 10 | 13 | 12 | 30 | 24 | 0,038 |
| 6 | R1/4 | 3908 06 13 | 3808 06 13 | 14 | 12 | 30 | 24 | 0,045 |
| 8 | R1/8 | 3908 08 10 | 3808 08 10 | 14 | 14,5 | 34 | 25 | 0,050 |
| 8 | R1/4 | 3908 08 13 | 3808 08 13 | 14 | 14,5 | 34 | 25 | 0,056 |
| 8 | R3/8 | 3908 08 17 | 3808 08 17 | 19 | 15 | 33 | 25 | 0,068 |
| 10 | R1/4 | 3908 10 13 | 3808 10 13 | 19 | 17 | 39 | 31 | 0,081 |
| 10 | R3/8 | 3908 10 17 | 3808 10 17 | 19 | 17 | 39 | 31 | 0,083 |

3998 / 3898 Male stud branch tee – BSP parallel and M5

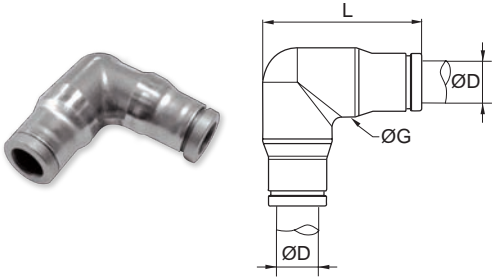


| ØD | C | LF 3900 | LF 3800 | F | G | H | L/2 | KG |
|----|--------|-------------|-------------|----|----|------|-----|-------|
| 4 | M5x0,8 | 3998 04 19* | 3898 04 19* | 10 | 11 | 26,8 | 19 | 0,023 |
| 4 | G1/8 | 3998 04 10 | 3898 04 10 | 13 | 11 | 27,3 | 19 | 0,026 |
| 4 | G1/4 | 3998 04 13 | 3898 04 13 | 17 | 11 | 27,3 | 19 | 0,034 |
| 6 | M5x0,8 | 3998 06 19* | 3898 06 19* | 13 | 12 | 33,5 | 24 | 0,038 |
| 6 | G1/8 | 3998 06 10 | 3898 06 10 | 13 | 12 | 32,7 | 24 | 0,038 |
| 6 | G1/4 | 3998 06 13 | 3898 06 13 | 17 | 12 | 32 | 24 | 0,044 |
| 8 | G1/8 | 3998 08 10 | 3898 08 10 | 14 | 15 | 34,8 | 25 | 0,049 |
| 8 | G1/4 | 3998 08 13 | 3898 08 13 | 17 | 15 | 35 | 25 | 0,055 |
| 8 | G3/8 | 3998 08 17 | 3898 08 17 | 21 | 15 | 34,5 | 25 | 0,059 |
| 10 | G1/4 | 3998 10 13 | 3898 10 13 | 18 | 17 | 43,2 | 31 | 0,080 |
| 10 | G3/8 | 3998 10 17 | 3898 10 17 | 21 | 17 | 41,2 | 31 | 0,086 |

* sub-base FKM seal

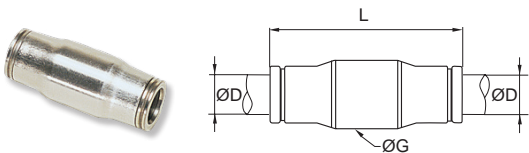
Tube-to-Tube Fittings

3902 / 3802 Equal elbow



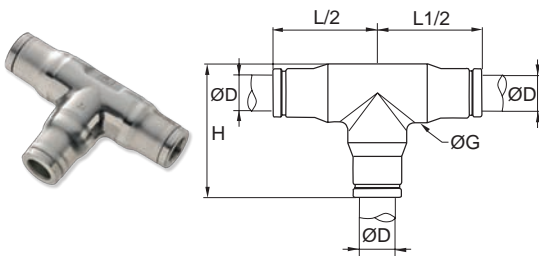
| ØD | LF 3900 | LF 3800 | G | L | KG |
|----|------------|------------|------|------|-------|
| 4 | 3902 04 00 | 3802 04 00 | 10 | 24 | 0,015 |
| 6 | 3902 06 00 | 3802 06 00 | 12 | 30 | 0,023 |
| 8 | 3902 08 00 | 3802 08 00 | 14,5 | 32,2 | 0,031 |
| 10 | 3902 10 00 | 3802 10 00 | 17 | 39 | 0,048 |
| 12 | 3902 12 00 | 3802 12 00 | 20 | 43 | 0,063 |

3906 / 3806 Equal tube / tube connector



| ØD | LF 3900 | LF 3800 | G | L | KG |
|----|------------|------------|------|------|-------|
| 4 | 3906 04 00 | 3806 04 00 | 10 | 30 | 0,009 |
| 6 | 3906 06 00 | 3806 06 00 | 12 | 37 | 0,015 |
| 8 | 3906 08 00 | 3806 08 00 | 15 | 38 | 0,020 |
| 10 | 3906 10 00 | 3806 10 00 | 17 | 49 | 0,032 |
| 12 | 3906 12 00 | 3806 12 00 | 19,5 | 49,5 | 0,039 |

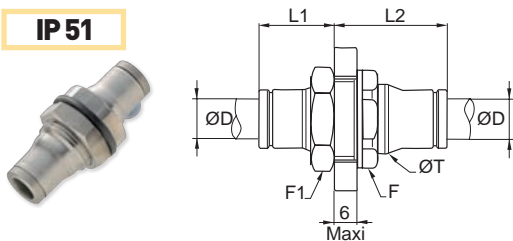
3904 / 3804 Equal tee



| ØD | LF 3900 | LF 3800 | G | H | L/2 | KG |
|----|------------|------------|------|----|-----|-------|
| 4 | 3904 04 00 | 3804 04 00 | 11 | 24 | 19 | 0,020 |
| 6 | 3904 06 00 | 3804 06 00 | 12 | 30 | 24 | 0,031 |
| 8 | 3904 08 00 | 3804 08 00 | 14,5 | 32 | 25 | 0,041 |
| 10 | 3904 10 00 | 3804 10 00 | 17 | 39 | 31 | 0,062 |
| 12 | 3904 12 00 | 3804 12 00 | 20,5 | 43 | 33 | 0,086 |

3916 / 3816 Equal bulkhead connector

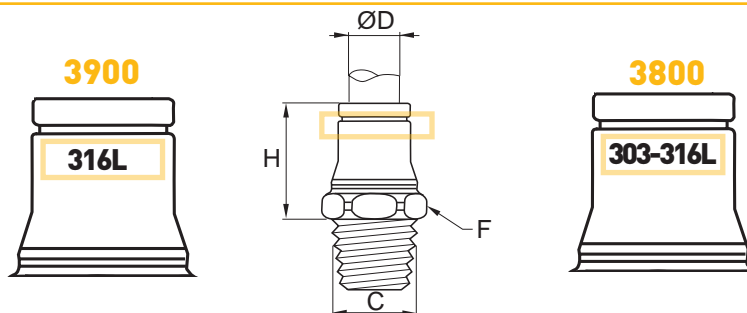
IP51



| ØD | LF 3900 | LF 3800 | F | F1 | L1 | L2 | T | KG |
|----|------------|------------|----|----|----|----|----|-------|
| 4 | 3916 04 00 | 3816 04 00 | 14 | 13 | 15 | 18 | 13 | 0,018 |
| 6 | 3916 06 00 | 3816 06 00 | 17 | 17 | 19 | 21 | 15 | 0,028 |
| 8 | 3916 08 00 | 3816 08 00 | 19 | 19 | 20 | 22 | 17 | 0,035 |
| 10 | 3916 10 00 | 3816 10 00 | 22 | 22 | 24 | 26 | 21 | 0,052 |
| 12 | 3916 12 00 | 3816 12 00 | 24 | 24 | 25 | 26 | 23 | 0,062 |

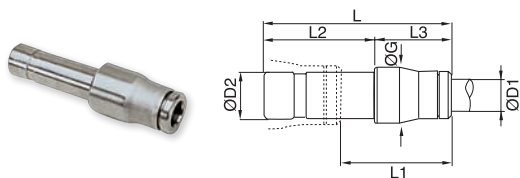
Identifying a LF 3900 from a LF 3800 ?

> You can identify a LF 3900 fitting from the LF 3800 version by the marking on the body of each fitting.



Plug-in Accessories

3966 / 3866 Reducer

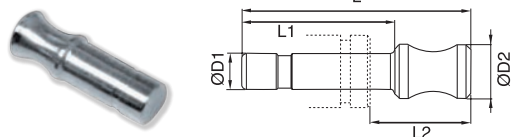


| ØD1 | ØD2 | LF 3900 | LF 3800 | G | L | L1 | L2 | L3 | KG |
|-----|-----|-------------------|-------------------|----|----|------|----|----|-------|
| 4 | 6 | 3966 04 06 | 3866 04 06 | 10 | 35 | 19 | 19 | 16 | 0,008 |
| 4 | 8 | 3966 04 08 | 3866 04 08 | 10 | 34 | 17 | 20 | 14 | 0,011 |
| 6 | 8 | 3966 06 08 | 3866 06 08 | 12 | 42 | 24 | 23 | 19 | 0,014 |
| 6 | 10 | 3966 06 10 | 3866 06 10 | 12 | 42 | 19 | 25 | 17 | 0,018 |
| 8 | 10 | 3966 08 10 | 3866 08 10 | 15 | 45 | 22,5 | 25 | 19 | 0,021 |
| 8 | 12 | 3966 08 12 | 3866 08 12 | 15 | 43 | 20 | 26 | 17 | 0,023 |
| 10 | 12 | 3966 10 12 | 3866 10 12 | 17 | 51 | 23 | 26 | 25 | 0,029 |

3826

Blanking plug

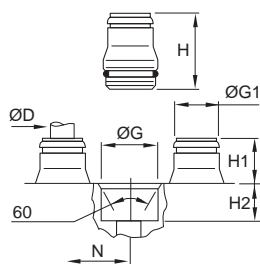
316 L



| ØD1 | ØD2 | LF 3800 | L | L1 | L2 | KG |
|-----|-----|-------------------|------|------|------|-------|
| 4 | 6 | 3826 04 00 | 25,4 | 17 | 11,1 | 0,003 |
| 6 | 8 | 3826 06 00 | 30,4 | 19,5 | 13,5 | 0,007 |
| 8 | 10 | 3826 08 00 | 33 | 20 | 14,4 | 0,013 |
| 10 | 12 | 3826 10 00 | 40 | 25 | 17 | 0,025 |
| 12 | 14 | 3826 12 00 | 43 | 26 | 18,7 | 0,038 |

Cartridges

3900 / 3800 Cartridge



| ØD | LF 3900 | LF 3800 | G | G1 | H | H1 | H2 | N | KG |
|----|-------------------|-------------------|------|----|------|------|------|------|-------|
| 4 | 3900 04 00 | 3800 04 00 | 9,8 | 8 | 18 | 9,5 | 8,5 | 11 | 0,004 |
| 6 | 3900 06 00 | 3800 06 00 | 12,1 | 10 | 20 | 11,5 | 8,5 | 13,5 | 0,008 |
| 8 | 3900 08 00 | 3800 08 00 | 14,8 | 13 | 22 | 13,5 | 8,5 | 16 | 0,012 |
| 10 | 3900 10 00 | 3800 10 00 | 17,5 | 15 | 25,5 | 15 | 10,5 | 20 | 0,014 |
| 12 | 3900 12 00 | 3800 12 00 | 20 | 17 | 26 | 15,5 | 10,5 | 22,5 | 0,021 |

Le choix de la matière dans laquelle seront intégrés ces raccords doit faire l'objet d'une concertation entre Parker Legris et l'utilisateur. Merci de nous consulter pour obtenir le plan détaillé nécessaire à la réalisation des logements.

Principaux avantages d'une cartouche: - évite d'avoir à tarauder des pièces.
- permet de réduire l'encombrement en hauteur.
- connexion et déconnexion instantanées du tube.

Tubing

Polyethylene

From 4 to 14mm OD



- > Good resistance to aggressive and corrosive agents.
- > Conforms to FDA and 1935/2004/CE standards.
- > Designed for food applications. Sensitive to very aggressive cleaning chemical agents.

Close tolerance FEP

From 4 to 12mm OD



- > Excellent resistance to aggressive and corrosive agents and to high temperatures.
- > Conforms to FDA and 1935/2004/CE standards. Not suitable for vacuum with LF3900 / 3800 fittings.

Semi-rigid nylon

From 4 to 16mm OD



- > Good chemical resistance.
- > Designed for standard pneumatic applications. Not suitable for direct contact with food.

Crystal clear polyether polyurethane

From 4 to 14mm OD



- > Designed for food applications, dry or temporarily humid (maximum 10 minutes).
- > Conforms to FDA and 1935/2004/CE standards.

Connection Solutions for Industrial Fluids

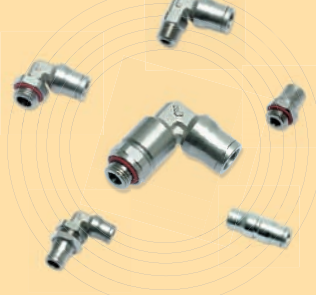
> Low pressure connections

Push-in fittings, quick acting couplers, tubing and ball valves for all industries.

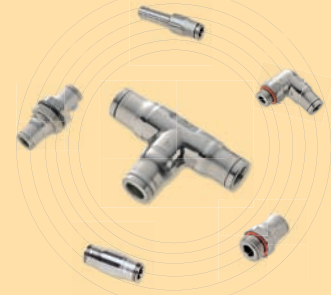
Applications include: assembly machines, packaging equipment, automation, food liquid circuits, automotive process industry.



LF 3000, polymer instant fittings for pneumatic applications.



LF 3600, nickel plated brass instant fittings for industrial and food applications.



LF 3800 / LF 3900, advanced stainless steel instant fittings for food zone applications and aggressive fluids.



Pneumatic function fittings for industrial automation.



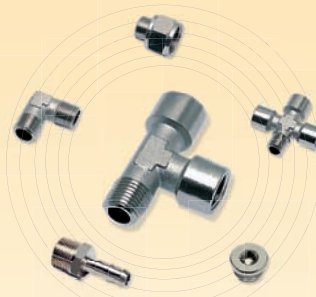
Technical tubing and hose for a complete connection solution.



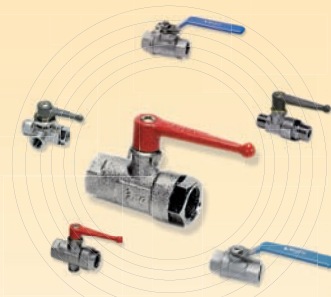
Brass and stainless steel **compression fittings**.



Quick acting **couplers** and blowguns.



Nickel plated brass and stainless steel **accessories**.



Industrial ball valves, low and medium pressure, for all industries.

Special products.



LIQUIfit, a new range dedicated to the transportation of fluids and beverages.

> You will find the full Legris offer on our website www.parkerconnectic.com.