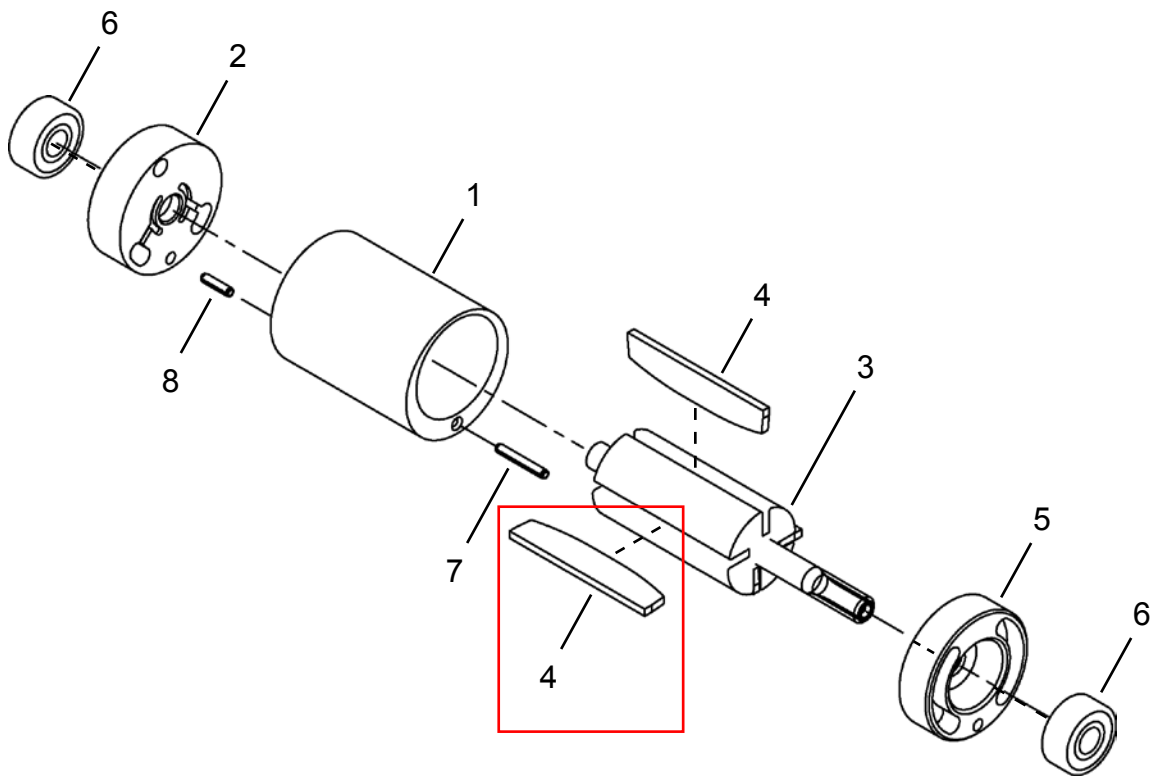


10.3 Motor Assembly



10.3 Motor Assembly

| Ref | Number | # | X | EN | |
|-----|------------|---|----|---------------------|--|
| | | | | Description | |
| -- | Table 10.3 | 1 | | Motor Assembly | |
| 1 | 203504 | 1 | | Cylinder | |
| 2 | 205960 | 1 | | Rear Bearing Plate | |
| 3 | Table 10.3 | 1 | | Rotor | |
| 4 | 203615PT | 4 | 12 | Rotor Blade | |
| 5 | 203641 | 1 | | Front Bearing Plate | |
| 6 | 842768 | 2 | 4 | Ball Bearing | |
| 7 | 844897 | 1 | 2 | Front Cylinder Pin | |
| 8 | 847548 | 1 | 2 | Rear Cylinder Pin | |

(#) Quantity

(X) Recommended Spare Parts (quantity shown based on 1-5 tools in operation)

Table 10.3

| Ref. | Description | # | 19(--) A02Q | # | 19(--) A03Q | # | 19(--) A04Q |
|------|----------------|---|--------------------|---|--------------------|---|--------------------|
| | | | 19(--) A05Q | | 19(--) A09Q | | 19(--) A06Q |
| | | | 19(--) A07Q | | | | 19(--) A15Q |
| -- | Motor Assembly | 1 | 301972PT | 1 | 301973PT | 1 | 301974PT |
| 3 | Rotor | 1 | 203545 | 1 | 203547 | 1 | 203546 |