



- A PART OF ADDTECH GROUP

DATA SHEET

Customer:	
Ref.:	
Order:	
Motor:	
Serial nr:	
Date:	11-09-2018

ASYNCHRONOUS MOTOR 4A2 100L2-4

Nameplate data:

Code: 115983

Type:	4A2 100L2-4			IP55	F/B	Amb. temp.: Max. 40°		
kW	Hz	V	A	Rpm	Cos	Eff.	Duty	IE.class
3,00	50	230D	10,8	1450	0,81	85,5%	S1	IE2
3,00	50	400 Y	6,2	1450	0,81	85,5%		
3,60	60	460 Y	6,5	1740	0,81	85,5%		

Description:

Mounting form:	B3
Bearing DE:	6206-2Z/C3
Bearing NDE:	6206-2Z/C3
Weight - Kg.:	28,5
Heater:	No Heater
PTC:	No PTC
Kgm ² :	0,0067
Sound press.-db(A):	53,0

Other:

Test data S1-duty, Amb.temp 40°C:

Voltage - V:	400
Frequency - Hz:	50
Power - kW:	3,00
Full load speed - Rpm:	1450
Full load current - A:	6,20
Full load power factor - Cos:	0,81
Locked rotor current - A:	45,9
Locked rotor factor - A_{st}/A_n :	7,4

Efficiency 100% load - %:	85,5%
Efficiency 75% load - %:	86,6%
Efficiency 50% load - %:	85,3%
Full load torque - Nm:	19,8
Locked rotor torque - Nm:	45,5
Locked rotor torque - Nm_{st}/Nm_n :	2,3
Max. Pull out torque - Nm:	45,5
Max. Pull out torque. - Nm_{st}/Nm_n :	2,3

Over load/speed test	kW	Hz	V	A	Rpm
Over load 160% - 15sec.	4,80	50	400	9,92	1450
Over speed 125% - 2 min.	3	63	400	6,20	1813
H-Pot test voltage: 1800V			Temp. rise in stator:		

The motor is produced in accordance with following harmonized standards:
IEC60034-1, IEC60034-2, IEC60034-5, IEC60034-6, IEC60034-7, IEC60034-8, IEC60034-9
IEC60034-12, IEC60034-14, IEC60034-30, IEC60072.

Additional specifications in accordance with:
RINA - GL - LRS - BV - DNV - ABS - KR - RR - CCS - CCC - RMRS.

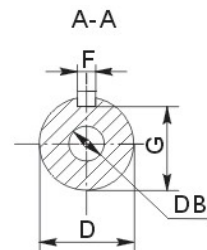
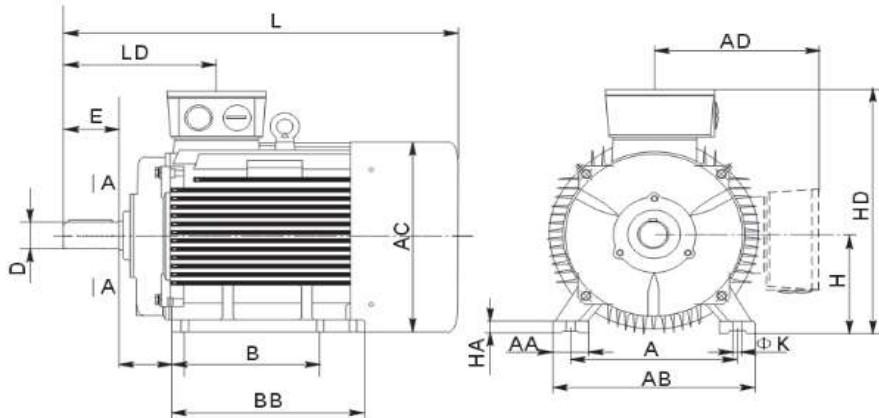


- A PART OF ADDTECH GROUP

DATA SHEET

Customer:	
Ref.:	
Order:	
Motor:	
Serial nr:	
Date:	11-09-2018

Foot mounted motor 4A2 100L2-4 B3



A: 160	HD: 266	E: 60
B: 140	C: 63	D: 28
AB: 196	H: 100	G: 24
AC: 205	K: 12	DB: M10
AD: 168	L: 403	F: 8
LD: 0	L (V1): 453	

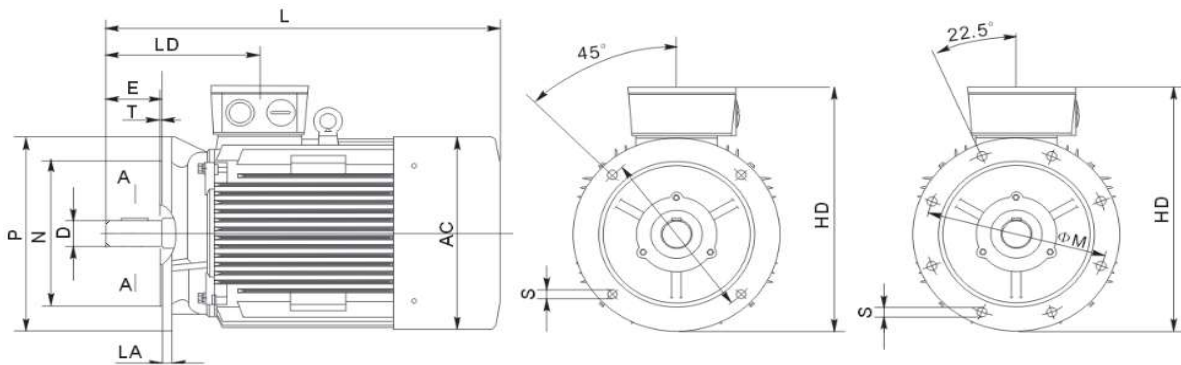


- A PART OF ADDTECH GROUP

DATA SHEET

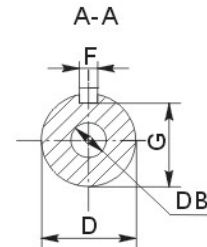
Customer:	
Ref.:	
Order:	
Motor:	
Serial nr:	
Date:	11-09-2018

Flange mounted motor 4A2 100L2-4 B5 (V1)



IEC 56-200

IEC 225-400



M: 215
N: 180
P: 250
S: 15

HD: 266
L: 403
L (V1): 453
LD: 0

E: 60
D: 28
G: 24
DB: M10
F: 8

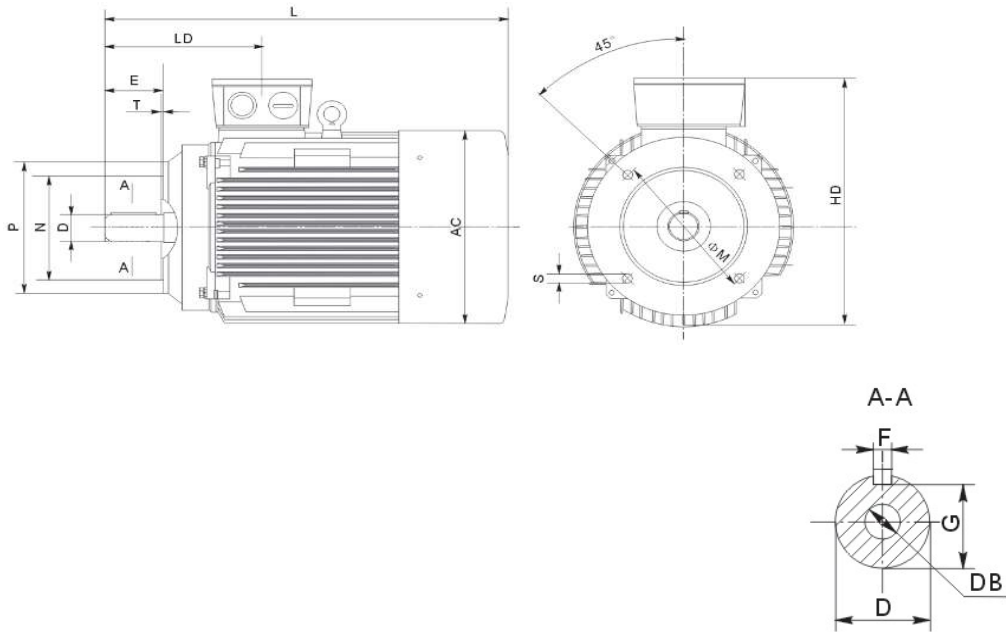


- A PART OF ADDTECH GROUP

DATA SHEET

Customer:	
Ref.:	
Order:	
Motor:	
Serial nr:	
Date:	11-09-2018

Flange mounted motor 4A2 100L2-4 B14A or B14B



Flange type: B14A

M: 130
N: 110
P: 160
S: M8

B14B

165
130
200
M10

HD: 266
L: 403
L (V1): 453
LD: 0

E: 60
D: 28
G: 24
DB: M10
F: 8

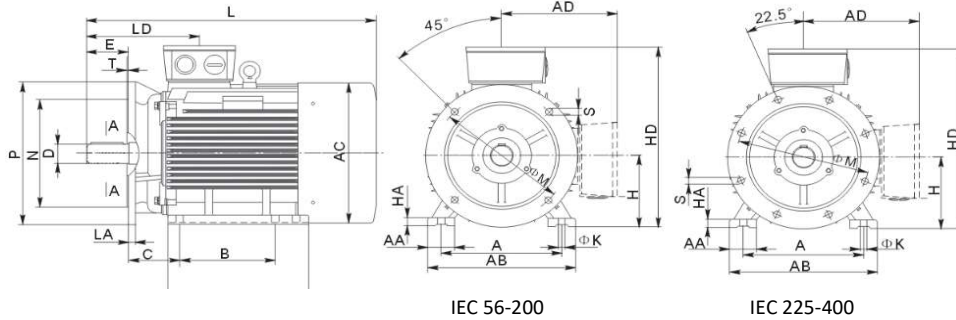


- A PART OF ADDTECH GROUP

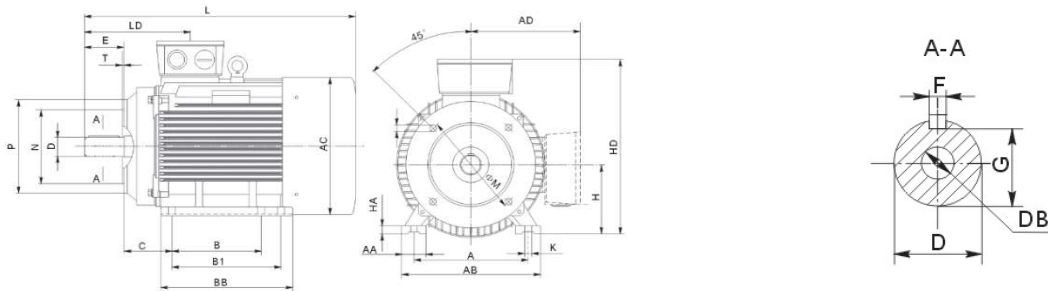
DATA SHEET

Customer:	
Ref.:	
Order:	
Motor:	
Serial nr:	
Date:	11-09-2018

Foot & flange mounted motor 4A2 100L2-4 B3/B5



4A2 100L2-4 B3/14A or B3/14A



Flange type: B5

M: 215
N: 180
P: 250
S: 15

A: 160
B: 140
AB: 196
AC: 205
AD: 168
LD: 0

B14A

M: 130
N: 110
P: 160
S: M8

HD: 266
C: 63
H: 100
K: 12
L: 403
L (V1): 453

B14B

M: 165
N: 130
P: 200
S: M10

E: 60
D: 28
G: 24
DB: M10
F: 8