

# Thermostats

## FLZ 510 – FLZ 530



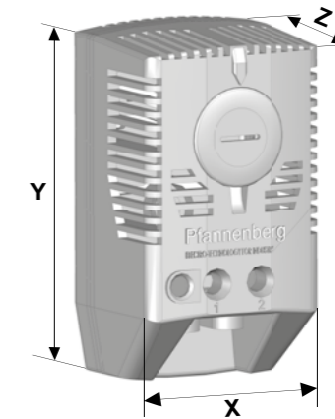
The FLZ series of thermostats consists of three versions. They are available with N.C. / N.O.<sup>1</sup> and changeover contacts. In combination with control cabinet heaters, they serve for temperature control inside the control cabinet. In combination with filterfans, they provide for additional savings on energy, materials and time and, hence, for a better environmental balance. All in all, this results in greater reliability of the production process, reduced energy consumption due to need-based use and an improvement in the efficiency of the controlled heaters and filterfans.

Data	FLZ 510		FLZ 520	FLZ 530	Unit
Article number	-20 °C (-4 °F) ... +40 °C (+104 °F)	17103000003	17105000003	17111000003	17121000003
	0 °C (+32 °F) ... +60 °C (+140 °F)	17103000000	17105000000	17111000000	17121000000
	+20 °C (+68 °F) ... +80 °C (+176 °F)	17103000004	17105000004	17111000004	17121000004
Type of contact	changeover with spring contact		N.C. with spring contact	N.O. with spring contact	
Switching temperature difference	1 <sup>2</sup>	3	< 7		K
Switching point tolerance	± 3		± 4		
Max. switching power value in brackets: inductive load at cos φ = 0.6	N.C. 100 - 250 V AC / 10 (2)		240 V AC / 10 (2)		A
	N.O. 100 - 250 V AC / 5 (2)		120 V AC / 15 (2)		
	DC	max. 30		max. 30	W
Operating temperature range	- 40 ... + 80 / - 40 ... + 176				°C / °F
Storage temperature range	- 40 ... + 80 / - 40 ... + 176				
Probe type	bimetal		bimetal		
Weight	75		50		g
System of protection	IP 20				
Type of connection	screw terminal for cable cross-section 0.5 to 2.5 mm <sup>2</sup>				
Special feature	thermal return <sup>2</sup>		-		
Suitable for the operation of	fan and heater		heater	fan	
Type of mounting	snap fastening for 35 mm profile bars according to EN 60715				
Colour	RAL 7035				
Accessories	Piece	Article number		Information on page	
Hygrostat	1	17207000000		248	
Internal enclosure fan	1	18110000000		85	

<sup>1</sup> N.C. = normally closed / N.O. = normally open  
<sup>2</sup> for 230 V AC operation only  
 Approvals see page 229

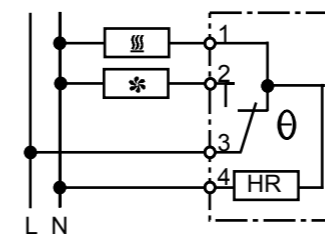
### Dimensions

mm	FLZ 510	FLZ 520	FLZ 530
X	37	40	40
Y	59.5	72	72
Z	47.5	36	36

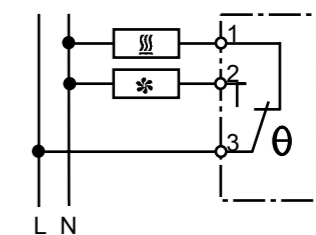


### Schematics

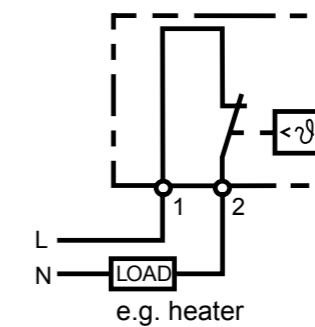
#### FLZ 510 1K



#### FLZ 510 3K



#### FLZ 520 N.C.



#### FLZ 530 N.O.

