

GEM

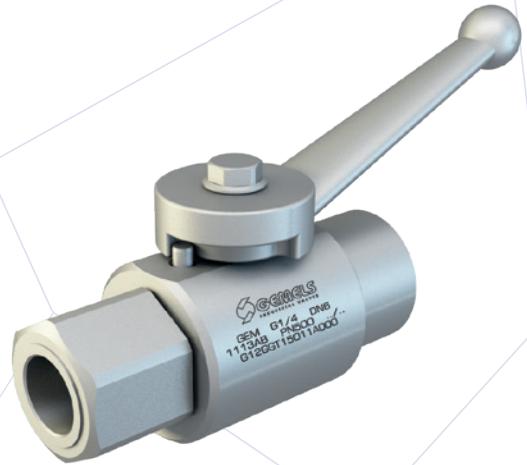
2-WAY HIGH PRESSURE BALL VALVES

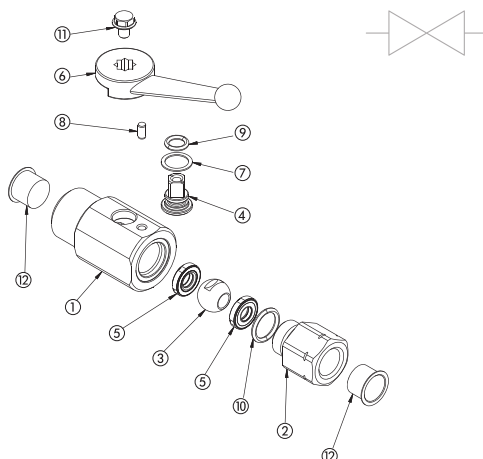
CARBON STEEL

- Type: ball valve GEM 2 way
- Body: round
- Ball seats: DN6
- Operating pressure: 500 Bar
depending on valve size and seal materials selected
- Temp range: -20°C to +100°C
depending on seal material selected

STAINLESS STEEL

- Type: ball valve GEM 2 way
- Body: round
- Ball seats: DN6
- Operating pressure: 500 Bar
depending on valve size and seal materials selected
- Temp range: -30°C to +100°C
depending on seal materials selected



**CARBON STEEL**

POS	DESCRIPTION	MATERIAL	Q.TY
1	Body	1,0737	1
2	Adapter	1,0737	1
3	Ball	1,0737	1
4	Stem	1,0737	1
5	Ball seat	POM	2
6	Handle	ZINC	1
7	Stem ring	POM	1
8	Spine	1,0737	1
9	Stem o-ring	NBR	1
10	Adapter o-ring	NBR	2
11	Screw	DIN 6921 8.8	1
12	Caps	PVC	2

CARBON STEEL

GEM		G ¼		DN6		1	1	1	1	A	B	
TYPE AND WAY OF VALVE	GAS DIN/ ISO 228 BSP	NPT ANSI/ ASME B1.20.1	SAE J1926-1	DIN 2353 HEAVY SERIES	DIN 2353 LIGHT SERIES	NOMINAL DIMENSION	BODY MATERIAL	ADAPTER MATERIAL	STEM MATERIAL	BALL MATERIAL	BALL SEAT MATERIAL	ADAPTER AND STEM SEAL MATERIAL
GEM 2-way	G ¼	N ¼	SAE4	8S 10S	6L 8L	DN6	1 1,0737	1 1,0737	1 1,0737 4 1,4404*	1 1,0737 4 1,4404*	A POM D PEEK* G PA612* K GEMPTFE* C PTFE*	B NBR E FKM* F EPDM* L MVQ*

STAINLESS STEEL

POS	DESCRIPTION	MATERIAL	Q.TY
1	Body	1,4305	1
2	Adapter	1,4305	1
3	Ball	1,4404	1
4	Stem	1,4305	1
5	Ball seat	POM	2
6	Handle	ZINC	1
7	Stem ring	POM	1
8	Spine	1,4301	1
9	Stem o-ring	NBR	1
10	Adapter o-ring	NBR	2
11	Screw	DIN 6921 A2	1
12	Caps	PVC	2

STAINLESS STEEL

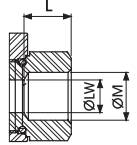
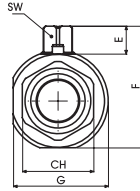
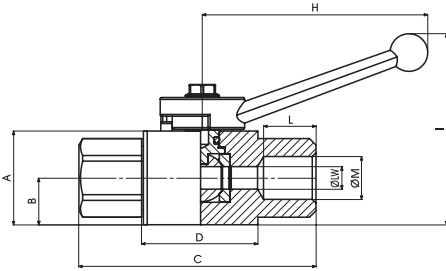
GEM		G ½		DN6		3	3	3	3	A	B	
TYPE AND WAY OF VALVE	GAS DIN/ ISO 228 BSP	NPT ANSI/ ASME B1.20.1	SAE J1926-1	DIN 2353 HEAVY SERIES	DIN 2353 LIGHT SERIES	NOMINAL DIMENSION	BODY MATERIAL	ADAPTER MATERIAL	STEM MATERIAL	BALL MATERIAL	BALL SEAT MATERIAL	ADAPTER AND STEM SEAL MATERIAL
GEM 2-way	G ¼	N ¼	SAE4	8S 10S	6L 8L	DN6	3 1,4305	3 1,4305	3 1,4305	3 1,4305	A POM D PEEK* G PA612* K GEMPTFE* C PTFE*	B NBR E FKM* F EPDM* L MVQ*

*On request:

- Reduced bore
- Special threads

- Pressure class up to PN50 Mpa
- Locking device

For further special requests please consult our technical/commercial service



GEM DIN/ISO 228 BSP

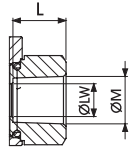
Standard

TYPE	PN	DN	A	B	C	D	E	F	G	H	I	L	ØM	CH	SW	ØLW	KG	CARBON STEEL	STAINLESS STEEL
																		ITEM CODE	ITEM CODE
GEM G 1/4	50 MPa	6	25	12,5	63	31,5	7	32,5	26,8	60	51	14	G 1/4	19	6	6	0,195	G12GGT15011A000	G12GGT15033A000

GEM ANSI/ASME B1.20.1 NPT

Standard

TYPE	PN	DN	A	B	C	D	E	F	G	H	I	L	ØM	CH	SW	ØLW	KG	CARBON STEEL	STAINLESS STEEL
																		ITEM CODE	ITEM CODE
GEM N 1/4	50 MPa	6	25	12,5	63	31,5	7	32,5	26,8	60	51	14	N 1/4	19	6	6	0,195	G12NNT15011A000	G12NNT15033A000



GEM SAE J1926-1

Standard

TYPE	PN	DN	A	B	C	D	E	F	G	H	I	L	ØM	CH	SW	ØLW	KG	CARBON STEEL	STAINLESS STEEL
																		ITEM CODE	ITEM CODE
GEM SAE4	50 MPa	6	25	12,5	63	31,5	7	32,5	26,8	60	51	14	7/16-20 UNF	19	6	6	0,195	G12EEE05011A000	G12EEE05033A000

