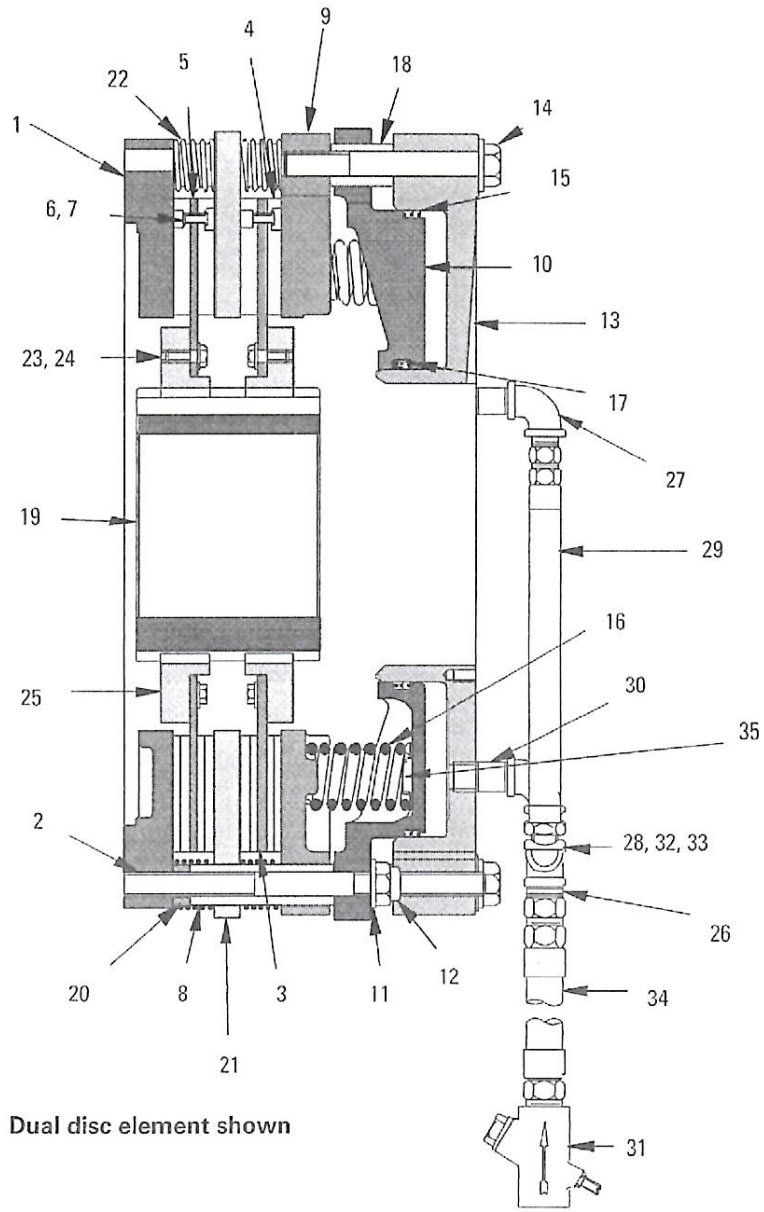


# Airflex® DBB Description

## Section E



Dual disc element shown

Item Number	Description	Item Number	Description	Item Number	Description
1	Mounting Flange	13	Cylinder	25	Ring Gear
2	Stud	14	Hex Head Screw	26	Pipe Nipple
3	Friction Disc Sub-Assembly	15	Outer Seal	27	Elbow
4	Friction Disc	16	Spring	28	Pipe Cross
5	Friction Disc Core	17	Inner Seal	29	Hose Assembly
6	Rivet	18	Spacer Tube	30	Pipe Nipple
7	Washer	19	Gear	31	Flow Control Valve
8	Clamp Tube	20	Wear Spacer	32	45 Deg. Street Elbow
9	Pressure Plate	21	Reaction Plate	33	Pipe Reducer
10	Spring Housing	22	Release Spring	34	Hose Assembly
11	Flat Washer	23	Flat Washer	35	Spring Retainer
12	Locknut	24	Hex Head Screw		